

PRODUCT DETAILS

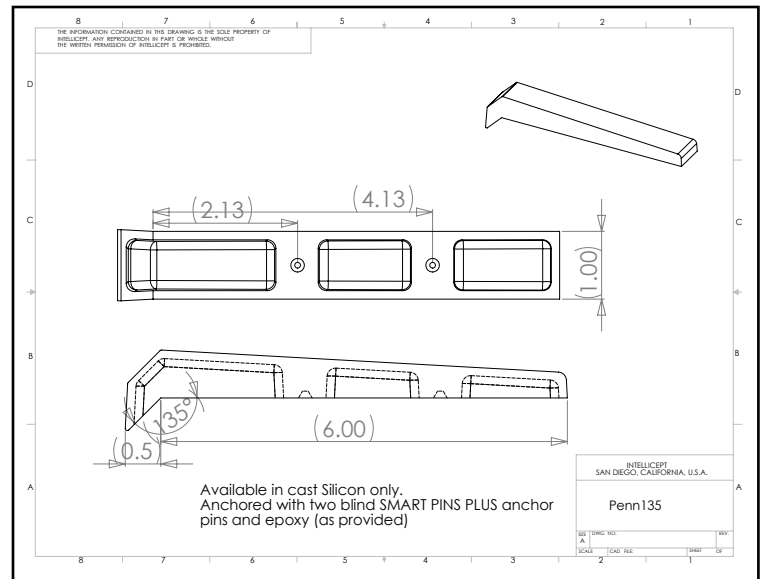
Penn 135

(Laser Series - Surface Mount)



Description: This cast part is designed for walls with 1/2" or greater chamfer corner. Penn 135 is most commonly used on poured concrete, but it may be used on granite, marble or pre-cast concrete. This part uses two concealed SMART PINS PLUS anchors.

This product is not intended for use on steps, stairs, sidewalk curb, or any pedestrian trafficked surfaces.



Material: Bronze

Bronze finish: Brown Patina with Satin Coat

Corner Radius: For 1/2" or greater chamfer corner.

Outside Dimensions: 1" (wide) x 6" (deep) x 1" (tall)

Anchoring: Anchored with two blind SMART PINS PLUS anchors. Use anchors in conjunction with two-part epoxy.

Product Spacing: 18" from end of planters/walls and approximately 36" centers. Do not apply at grout joints.