

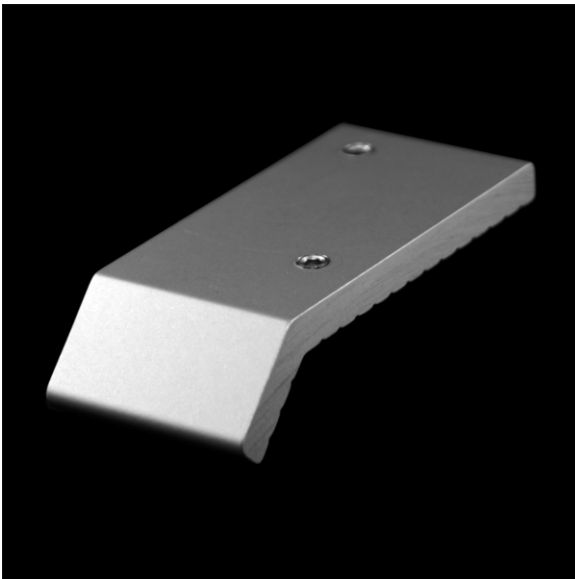
PRODUCT DETAILS

FA 135

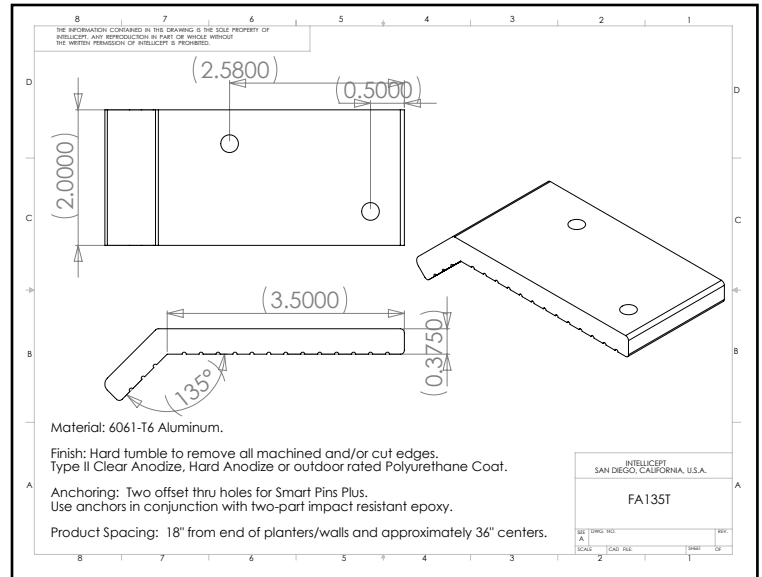
(FA Series - Surface Mount Aluminum)



Description: This part is designed for 3/4" chamfered edge walls (walls with a 45 degree cut off the corner). Model FA135 is most commonly used on poured concrete, but it may be used on granite, marble or pre-cast concrete. This part uses two SMART PINS PLUS anchors. For 1/2" chamfer, see FA 135 short.



(shown in Clear Anodized)



Material: 6061-T6 Aluminum

Finish: Hard tumbled to remove all machined and/or cut edges. Aluminum finish options include Type II Clear Anodize or Hard Anodize.

Corner Radius: For 3/4" or greater chamfer corner.

Outside Dimensions: 2" (wide) x 3-1/2" (deep) x 1-1/8" (tall)

Anchoring: Anchored with two offset thru holes for SMART PINS PLUS anchors. Use anchors in conjunction with two-part epoxy.

Product Spacing: 18" from end of planters/walls and approximately 36" centers. Do not apply at grout joints.

PRODUCT DETAILS

FA 135-short

(FA Series - Surface Mount Aluminum)



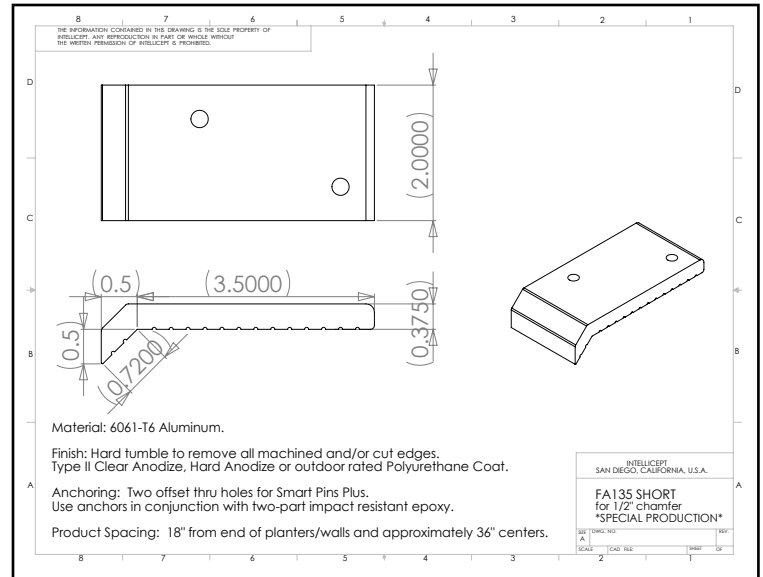
1547 N. Cuyamaca, El Cajon, CA 92020
Tel 619-447-6374 Fax 619-447-6396

www.skatestoppers.com

Description: This part is designed for 1/2" chamfered edge walls (walls with a 45 degree cut off the corner). Model FA135 is most commonly used on poured concrete, but it may be used on granite, marble or pre-cast concrete. This part uses two SMART PINS PLUS anchors. For 3/4" chamfer, see FA 135.



(shown in Clear Anodized)



Material: 6061-T6 Aluminum

Finish: Hard tumbled to remove all machined and/or cut edges. Aluminum finish options include Type II Clear Anodize or Hard Anodize.

Corner Radius: For 3/4" or greater chamfer corner.

Outside Dimensions: 2" (wide) x 4" (deep) x 1-1/8" (tall)

Anchoring: Anchored with two offset thru holes for SMART PINS PLUS anchors. Use anchors in conjunction with two-part epoxy.

Product Spacing: 18" from end of planters/walls and approximately 36" centers. Do not apply at grout joints.