

PRODUCT DETAILS

Childress

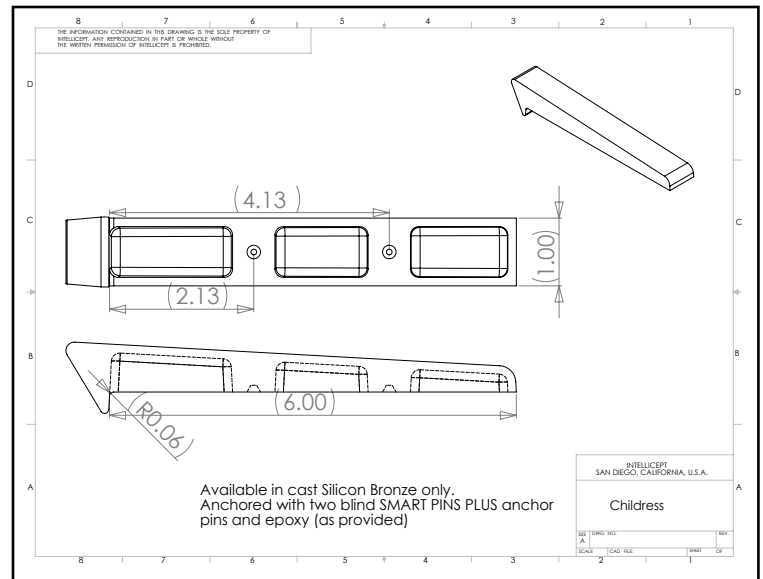
(Laser Series - Surface Mount)



1547 N. Cuyamaca, El Cajon, CA 92020
Tel 619-447-6374 Fax 619-447-6396

www.skatestoppers.com

Description: This cast part is designed for walls from 0" - 3/8" radius edge. Childress is most commonly used on granite, marble, stone, block, brick, or other surfaces with a hard corner. This part uses two concealed SMART PINS PLUS anchors.



Material: Cast Silicon Bronze

Silicon Bronze finish: Brown Patina

Corner Radius: For square corner from 1/8" - 3/8" radius.

Outside Dimensions: 1" (wide) x 6" (deep) x 1" (tall)

Anchoring: Anchored with two blind SMART PINS PLUS anchors. Use anchors in conjunction with two-part epoxy.

Product Spacing: 18" from end of planters/walls and approximately 36" centers. Do not apply at grout joints.

PRODUCT DETAILS

Foothill

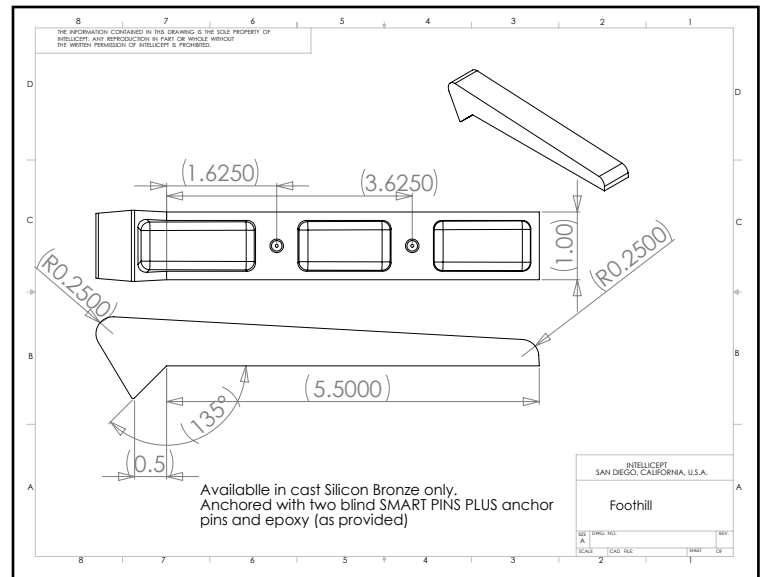
(Laser Series - Surface Mount)



1547 N. Cuyamaca, El Cajon, CA 92020
Tel 619-447-6374 Fax 619-447-6396

www.skatestoppers.com

Description: This cast part is designed for walls with 1/2" or greater chamfer corner. Foothill is most commonly used on poured concrete, but it may be used on granite, marble or pre-cast concrete. This part uses two concealed SMART PINS PLUS anchors.



Material: Cast Silicon Bronze

Silicon Bronze finish: Brown Patina

Corner Radius: For 1/2" or greater chamfer corner.

Outside Dimensions: 1" (wide) x 5-1/2" (deep) x 1" (tall)

Anchoring: Anchored with two blind SMART PINS PLUS anchors. Use anchors in conjunction with two-part epoxy.

Product Spacing: 18" from end of planters/walls and approximately 36" centers. Do not apply at grout joints.

PRODUCT DETAILS

Miller

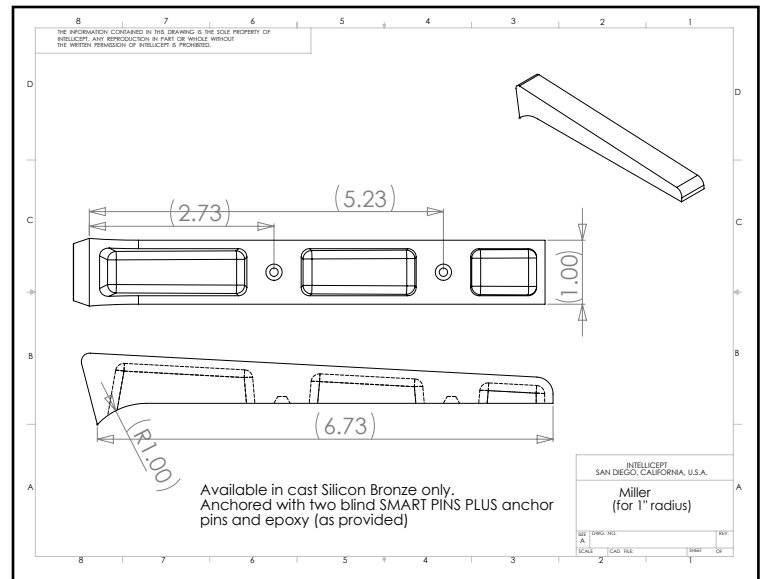
(Laser Series - Surface Mount)



1547 N. Cuyamaca, El Cajon, CA 92020
Tel 619-447-6374 Fax 619-447-6396

www.skatestoppers.com

Description: This cast part is designed for walls with a 1" radius edge. Miller is most commonly used on 2" bullnose brick and poured concrete with 1" radius edge. This part uses two concealed SMART PINS PLUS anchors.



Material: Cast Silicon Bronze

Silicon Bronze finish: Brown Patina

Corner Radius: For corner with 1" radius.

Outside Dimensions: 1" (wide) x 6-3/4" (deep) x 1" (tall)

Anchoring: Anchored with two blind SMART PINS PLUS anchors. Use anchors in conjunction with two-part epoxy.

Product Spacing: 18" from end of planters/walls and approximately 36" centers. Do not apply at grout joints.

PRODUCT DETAILS

Morgan

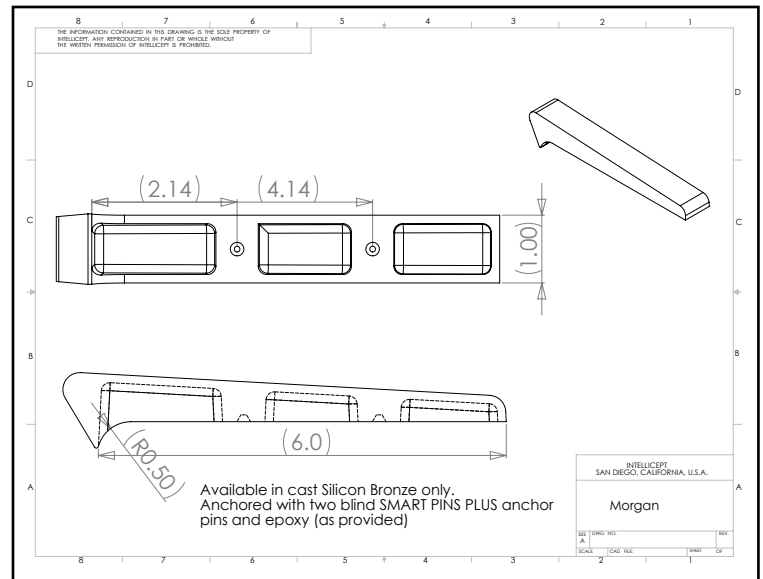
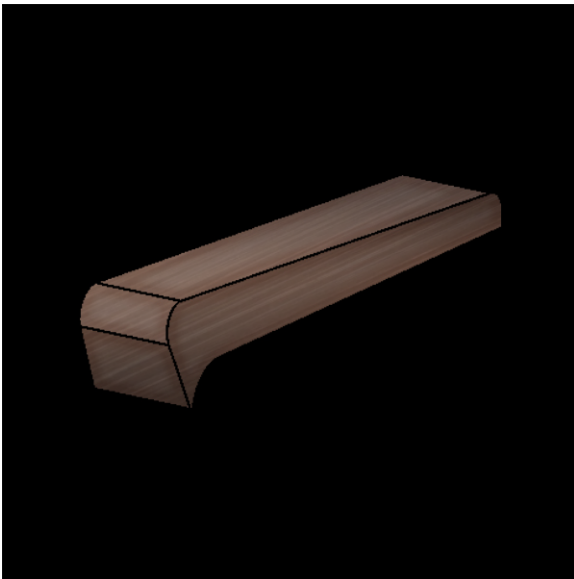
(Laser Series - Surface Mount)



1547 N. Cuyamaca, El Cajon, CA 92020
Tel 619-447-6374 Fax 619-447-6396

www.skatestoppers.com

Description: This cast part is designed for walls with 1/2" radius edge. Morgan is most commonly used on concrete. This part uses two concealed SMART PINS PLUS anchors.



Material: Cast Silicon Bronze

Silicon Bronze finish: Brown Patina

Corner Radius: For corner with 1/2" radius.

Outside Dimensions: 1" (wide) x 6-3/4" (deep) x 1" (tall)

Anchoring: Anchored with two blind SMART PINS PLUS anchors. Use anchors in conjunction with two-part epoxy.

Product Spacing: 18" from end of planters/walls and approximately 36" centers. Do not apply at grout joints.

PRODUCT DETAILS

Penn 135

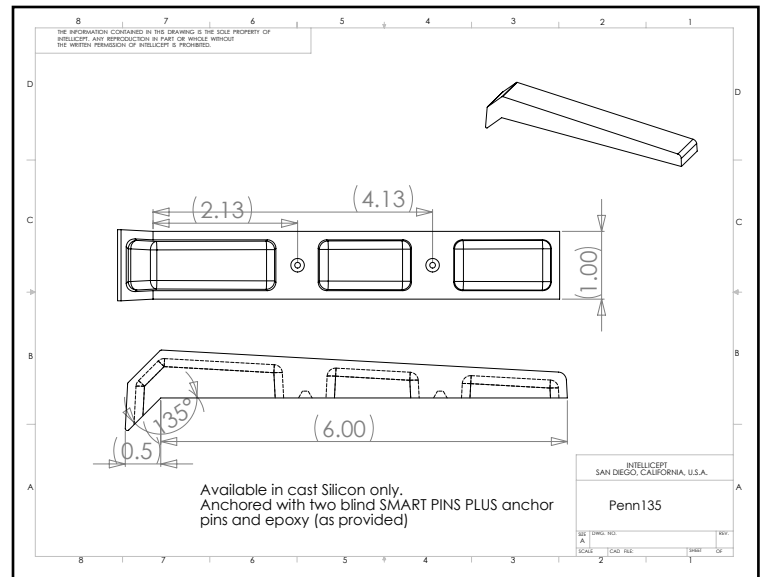
(Laser Series - Surface Mount)



1547 N. Cuyamaca, El Cajon, CA 92020
Tel 619-447-6374 Fax 619-447-6396

www.skatestoppers.com

Description: This cast part is designed for walls with 1/2" or greater chamfer corner. Penn 135 is most commonly used on poured concrete, but it may be used on granite, marble or pre-cast concrete. This part uses two concealed SMART PINS PLUS anchors.



Material: Cast Silicon Bronze

Silicon Bronze finish: Brown Patina

Corner Radius: For 1/2" or greater chamfer corner.

Outside Dimensions: 1" (wide) x 6" (deep) x 1" (tall)

Anchoring: Anchored with two blind SMART PINS PLUS anchors. Use anchors in conjunction with two-part epoxy.

Product Spacing: 18" from end of planters/walls and approximately 36" centers. Do not apply at grout joints.