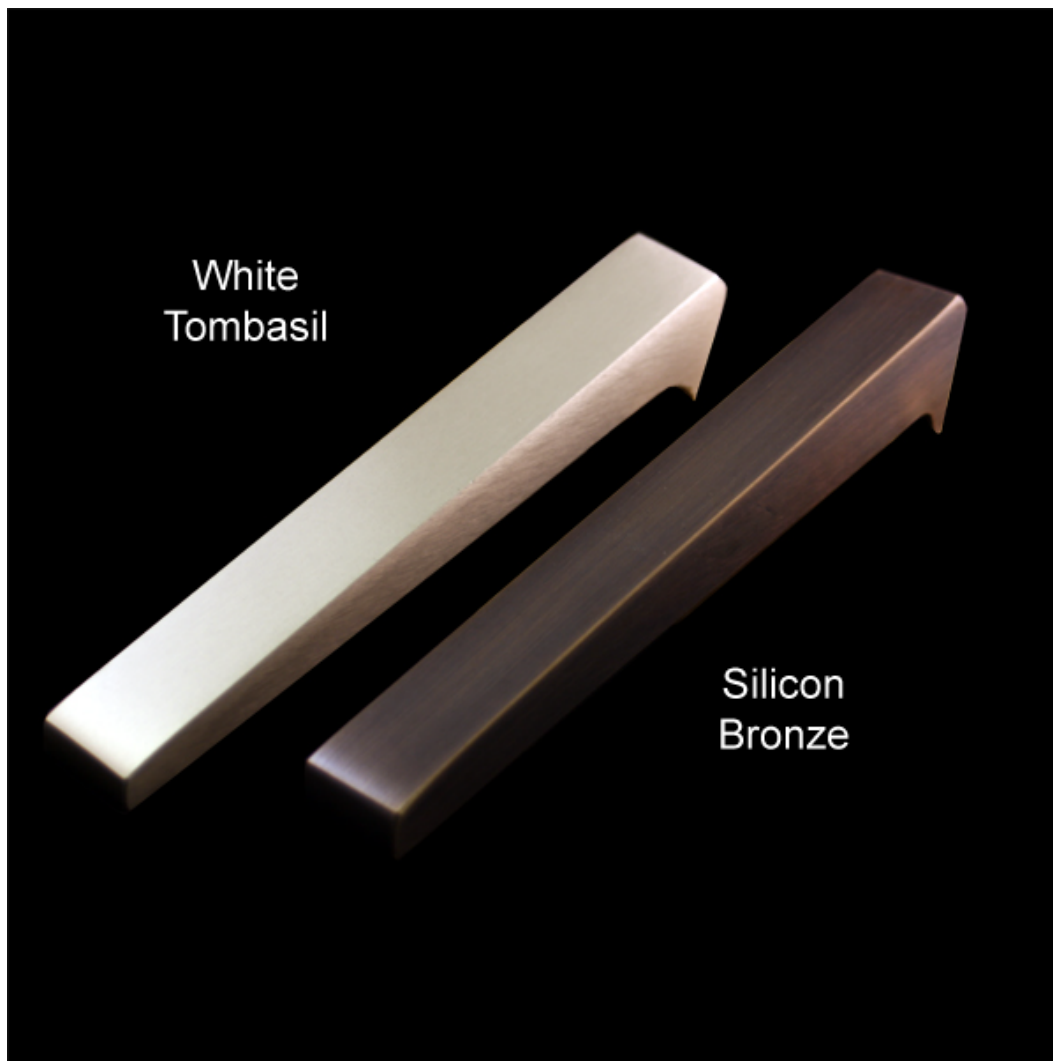




1547 N. Cuyamaca, El Cajon, CA 92020
Tel 619-447-6374 Fax 619-447-6396

www.skatestoppers.com

Laser Series (Material Options)



Alloy

White Tombasil*: 60% Copper, 5% Nickel, 22% Zinc, 12% Manganese

Silicon Bronze*: 94% Copper, 4% Silicon

Finish

White Tombasil: Brush with Matte Clear Coat

Silicon Bronze: Brown Patina with Satin Coat

*min. 75% recycled content

PRODUCT DETAILS

Childress

(Laser Series - Surface Mount)



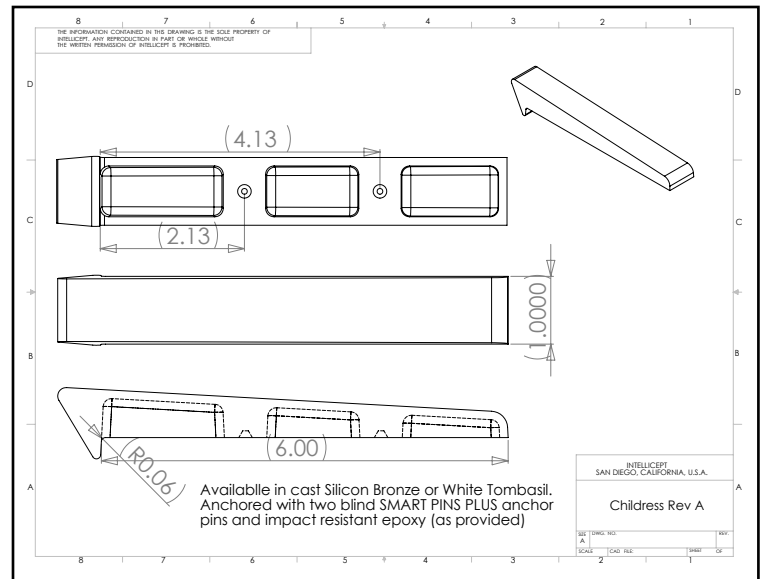
1547 N. Cuyamaca, El Cajon, CA 92020
Tel 619-447-6374 Fax 619-447-6396

www.skatestoppers.com

Description: This cast part is designed for walls from 0" - 3/8" radius edge. Childress is most commonly used on granite, marble, stone, block, brick, or other surfaces with a hard corner. This part uses two concealed SMART PINS PLUS anchors.



(shown in Silicon Bronze)



Material: Cast Silicon Bronze or White Tombasil

Silicon Bronze finish: Brown Patina

White Tombasil finish: Brushed finish with Matte Clear Coat

Corner Radius: For square corner from 1/8" - 3/8" radius.

Outside Dimensions: 1" (wide) x 6" (deep) x 1" (tall)

Anchoring: Anchored with two blind SMART PINS PLUS anchors. Use anchors in conjunction with two-part epoxy.

Product Spacing: 18" from end of planters/walls and approximately 36" centers. Do not apply at grout joints.

PRODUCT DETAILS

Morgan

(Laser Series - Surface Mount)



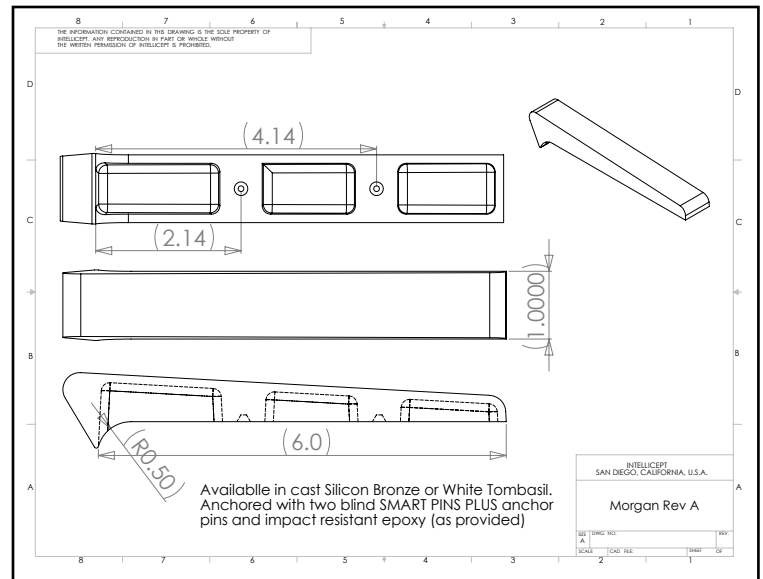
1547 N. Cuyamaca, El Cajon, CA 92020
Tel 619-447-6374 Fax 619-447-6396

www.skatestoppers.com

Description: This cast part is designed for walls with 1/2" radius edge. Morgan is most commonly used on concrete. This part uses two concealed SMART PINS PLUS anchors.



(shown in White Tombasil)



Material: Cast Silicon Bronze or White Tombasil

Silicon Bronze finish: Brown Patina

White Tombasil finish: Brushed finish with Matte Clear Coat

Corner Radius: For corner with 1/2" radius.

Outside Dimensions: 1" (wide) x 6-3/4" (deep) x 1" (tall)

Anchoring: Anchored with two blind SMART PINS PLUS anchors. Use anchors in conjunction with two-part epoxy.

Product Spacing: 18" from end of planters/walls and approximately 36" centers. Do not apply at grout joints.

PRODUCT DETAILS

Miller

(Laser Series - Surface Mount)



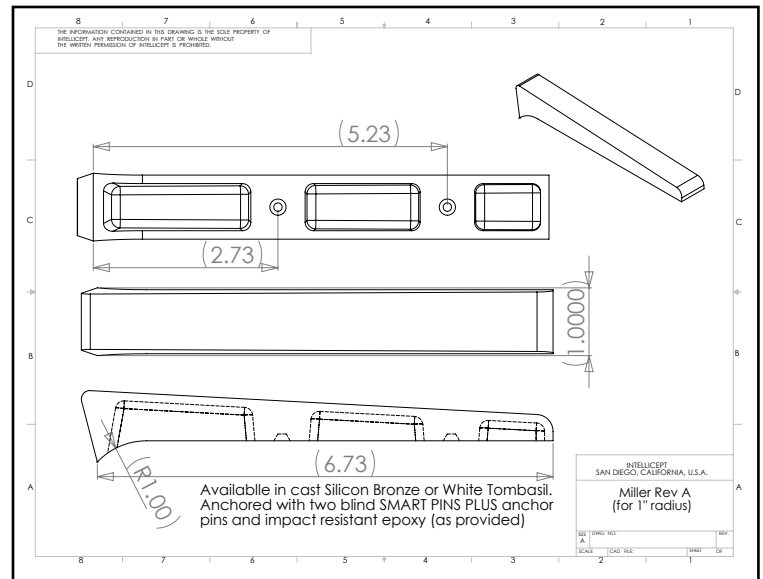
1547 N. Cuyamaca, El Cajon, CA 92020
Tel 619-447-6374 Fax 619-447-6396

www.skatestoppers.com

Description: This cast part is designed for walls with a 1" radius edge. Miller is most commonly used on 2" bullnose brick and poured concrete with 1" radius edge. This part uses two concealed SMART PINS PLUS anchors.



(shown in White Tombasil)



Material: Cast Silicon Bronze or White Tombasil

Silicon Bronze finish: Brown Patina

White Tombasil finish: Brushed finish with Matte Clear Coat

Corner Radius: For corner with 1" radius.

Outside Dimensions: 1" (wide) x 6-3/4" (deep) x 1" (tall)

Anchoring: Anchored with two blind SMART PINS PLUS anchors. Use anchors in conjunction with two-part epoxy.

Product Spacing: 18" from end of planters/walls and approximately 36" centers. Do not apply at grout joints.

PRODUCT DETAILS

Penn 135

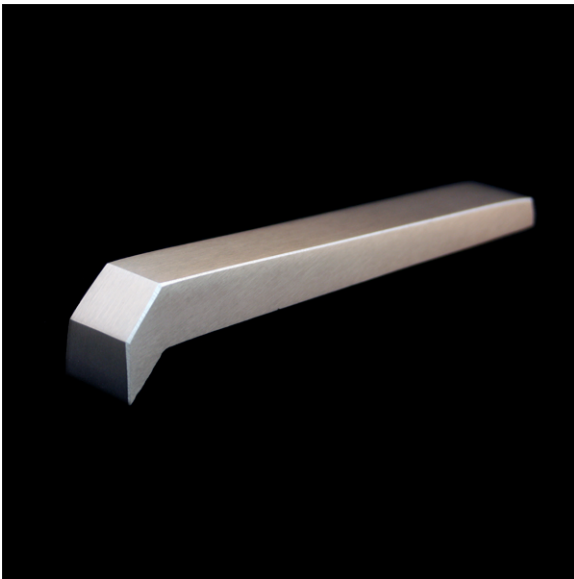
(Laser Series - Surface Mount)



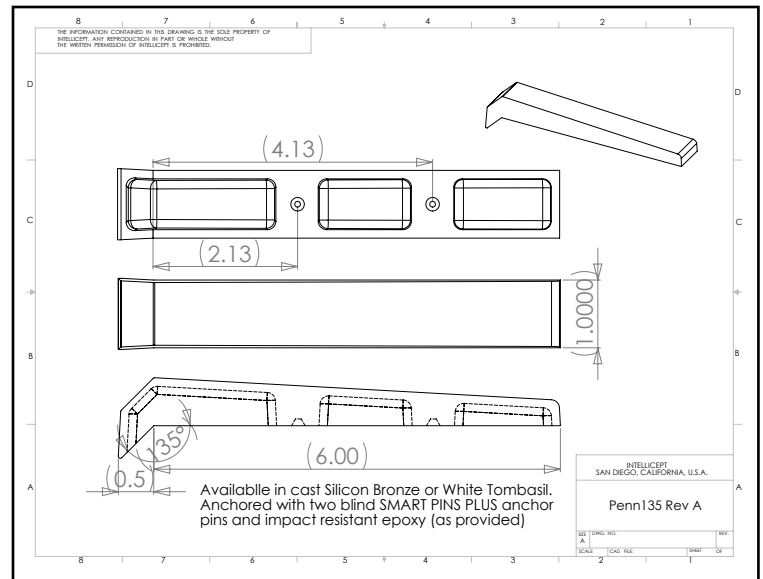
1547 N. Cuyamaca, El Cajon, CA 92020
Tel 619-447-6374 Fax 619-447-6396

www.skatestoppers.com

Description: This cast part is designed for walls with 1/2" or greater chamfer corner. Penn 135 is most commonly used on poured concrete, but it may be used on granite, marble or pre-cast concrete. This part uses two concealed SMART PINS PLUS anchors.



(shown in White Tombasil)



Material: Cast Silicon Bronze or White Tombasil

Silicon Bronze finish: Brown Patina

White Tombasil finish: Brushed finish with Matte Clear Coat

Corner Radius: For 1/2" or greater chamfer corner.

Outside Dimensions: 1" (wide) x 6" (deep) x 1" (tall)

Anchoring: Anchored with two blind SMART PINS PLUS anchors. Use anchors in conjunction with two-part epoxy.

Product Spacing: 18" from end of planters/walls and approximately 36" centers. Do not apply at grout joints.