

PRODUCT DETAILS

Miller

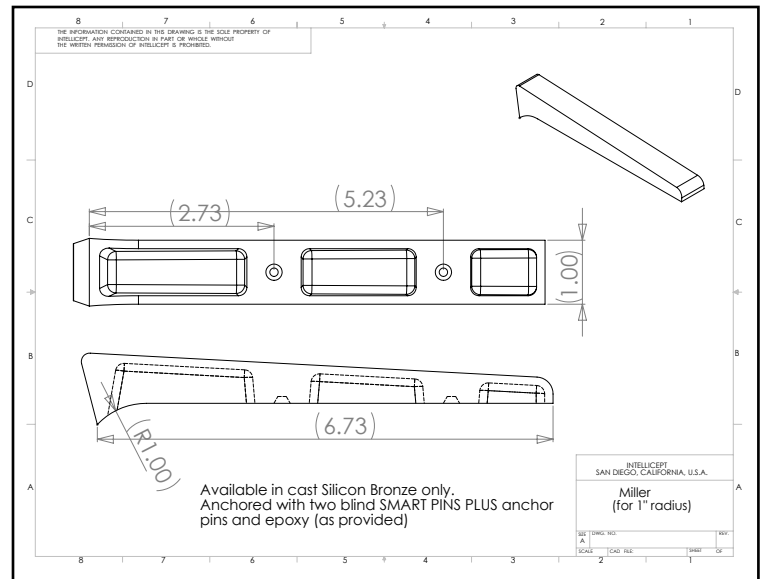
(Laser Series - Surface Mount)



1547 N. Cuyamaca, El Cajon, CA 92020
Tel 619-447-6374 Fax 619-447-6396

www.skatestoppers.com

Description: This cast part is designed for walls with a 1" radius edge. Miller is most commonly used on 2" bullnose brick and poured concrete with 1" radius edge. This part uses two concealed SMART PINS PLUS anchors.



Material: Cast Silicon Bronze

Silicon Bronze finish: Brown Patina

Corner Radius: For corner with 1" radius.

Outside Dimensions: 1" (wide) x 6-3/4" (deep) x 1" (tall)

Anchoring: Anchored with two blind SMART PINS PLUS anchors. Use anchors in conjunction with two-part epoxy.

Product Spacing: 18" from end of planters/walls and approximately 36" centers. Do not apply at grout joints.