

# PRODUCT DETAILS

## Penn 135

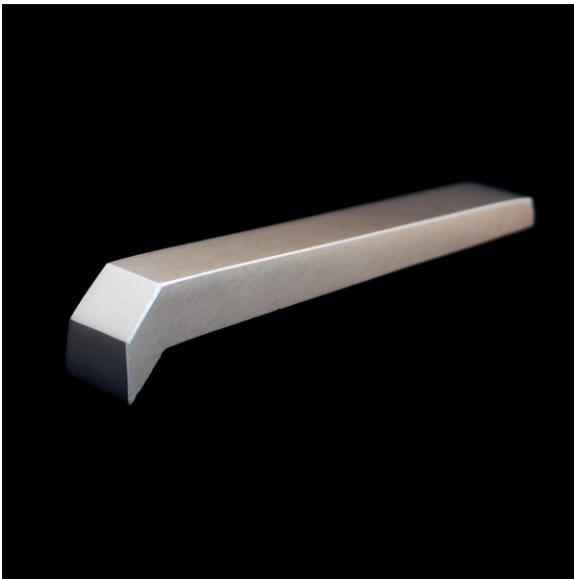
(Laser Series - Surface Mount)



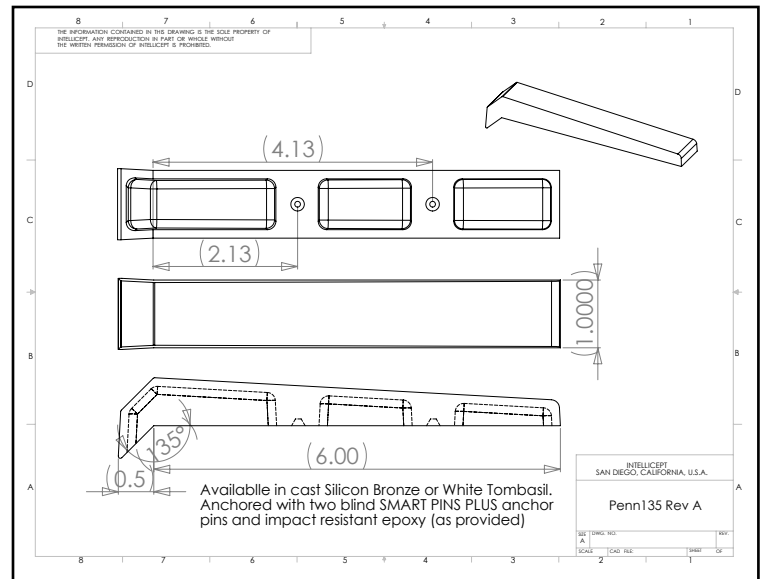
1547 N. Cuyamaca, El Cajon, CA 92020  
Tel 619-447-6374 Fax 619-447-6396

[www.skatestoppers.com](http://www.skatestoppers.com)

**Description:** This cast part is designed for walls with 1/2" or greater chamfer corner. Penn 135 is most commonly used on poured concrete, but it may be used on granite, marble or pre-cast concrete. This part uses two concealed SMART PINS PLUS anchors.



(shown in White Tombasil)



**Material:** Cast Silicon Bronze or White Tombasil

**Silicon Bronze finish:** Brown Patina

**White Tombasil finish:** Brushed finish with Matte Clear Coat

**Corner Radius:** For 1/2" or greater chamfer corner.

**Outside Dimensions:** 1" (wide) x 6" (deep) x 1" (tall)

**Anchoring:** Anchored with two blind SMART PINS PLUS anchors. Use anchors in conjunction with two-part epoxy.

**Product Spacing:** 18" from end of planters/walls and approximately 36" centers. Do not apply at grout joints.