

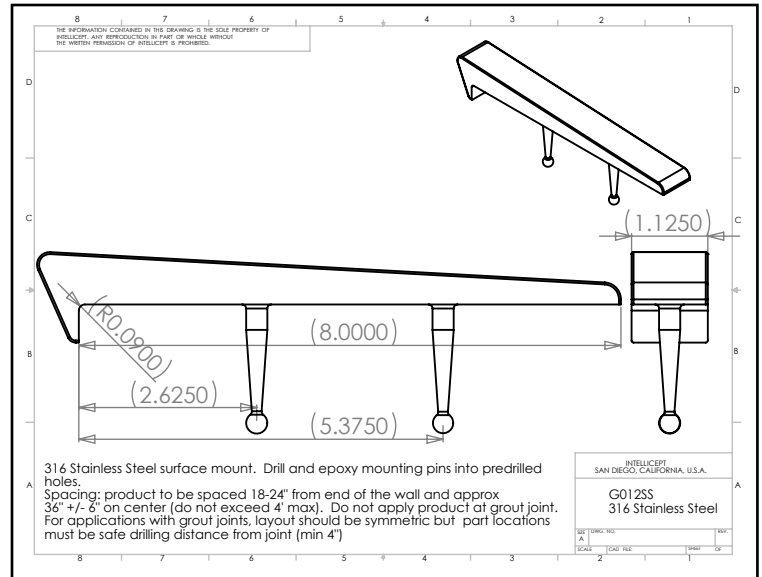
# PRODUCT DETAILS

## G 012-SS

("G" Series - Surface Mount Stainless Steel)



**Description:** This 316 Stainless Steel is designed for walls from 0" - 3/8" radius edge. G 012-SS is most commonly used on granite, marble, stone, block, brick, or other surfaces with a hard corner. This part uses two concealed G PIN anchors.



**Material:** 316 Stainless Steel

**Standard Finish:** Brushed

**Corner Radius:** For square corner from 0" - 3/8" radius.

**Outside Dimensions:** 1-1/8" (wide) x 8" (deep) x 1" (tall)

**Anchoring:** Anchored with two blind G PINS anchor pins. Use anchors in conjunction with two-part epoxy.

**Product Spacing:** 18"-24" from end of planters/walls and approximately 36" centers (not to exceed 48"). Do not apply product at grout joint. For applications with grout joints, layout should be symmetric but part locations must be safe drilling distance from joint (min 4").