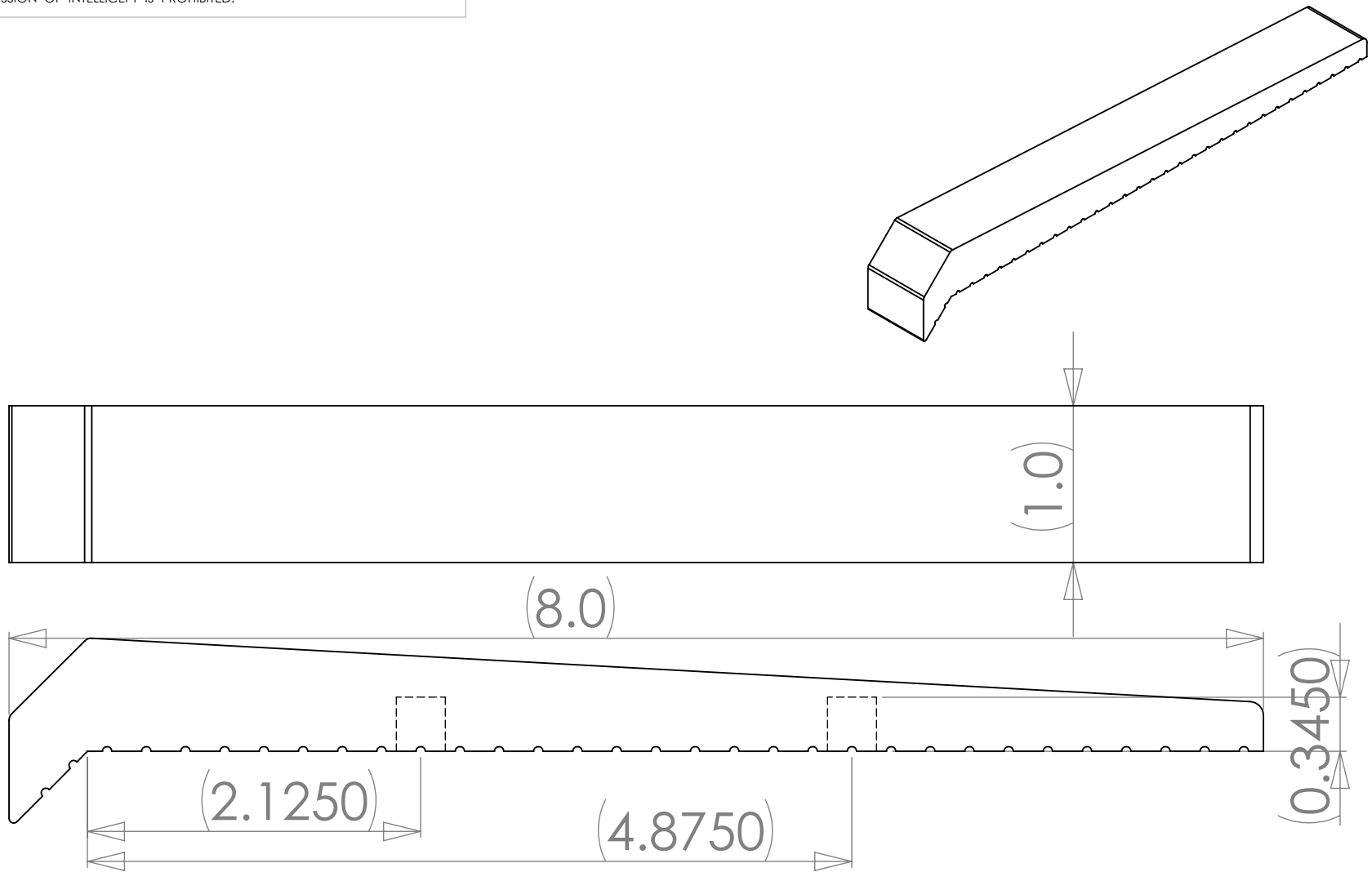


8 7 6 5 4 3 2 1

THE INFORMATION CONTAINED IN THIS DRAWING IS THE SOLE PROPERTY OF INTELLICEPT. ANY REPRODUCTION IN PART OR WHOLE WITHOUT THE WRITTEN PERMISSION OF INTELLICEPT IS PROHIBITED.



6061 T6 Aluminum. Debur. Type II clear anodize or Hard Anodize. Set with two 3/8" x 1-1/2" studs and epoxy. Product spaced at 12-18" from end of the wall and 36" +/- 6" centers.

INTELLICEPT SAN DIEGO, CALIFORNIA, U.S.A.			
Gorilla135			
SIZE A	DWG. NO.	REV.	
SCALE	CAD FILE:	SHEET	OF