

# PRODUCT DETAILS

## Gorilla 135

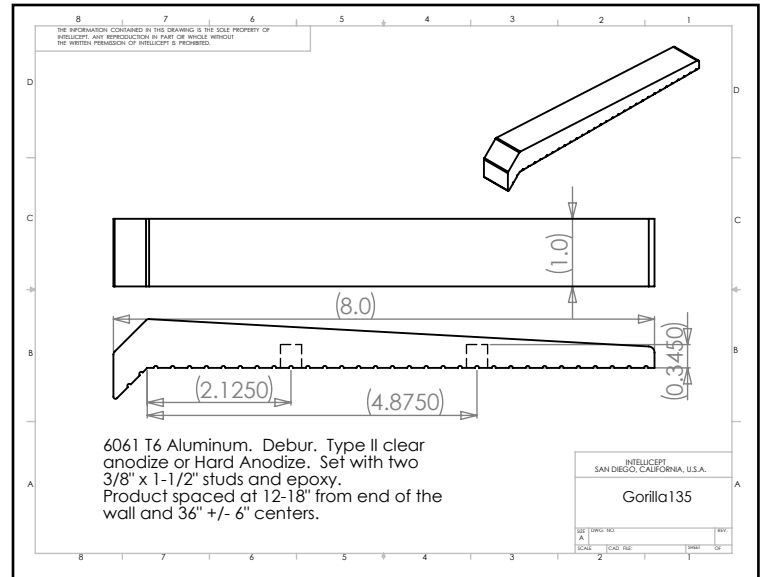
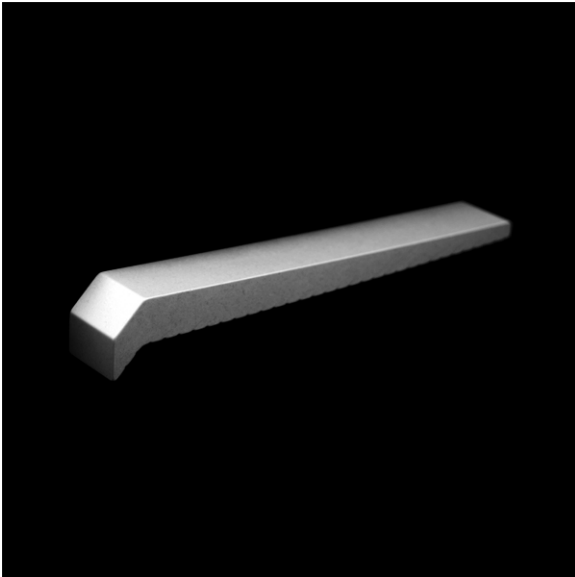
(Gorilla Line- Surface Mount Aluminum)



1547 N. Cuyamaca, El Cajon, CA 92020  
Tel 619-447-6374 Fax 619-447-6396

[www.skatestoppers.com](http://www.skatestoppers.com)

**Description:** This extruded aluminum part is designed for walls with 1/2" or greater chamfer corner. Gorilla 135 is most commonly used on poured concrete, but it may be used on granite, marble or pre-cast concrete. This part uses two concealed G PIN anchors.



**Material:** 6061-T6 Aluminum

**Finish:** Hard tumbled to remove all machined and/or cut edges. Aluminum finish includes Type II Clear Anodize or Hard Anodize.

**Corner Radius:** For 1/2" or greater chamfer corner.

**Outside Dimensions:** 1 1/8" (wide) x 8" (deep) x 1-1/8" (tall)

**Anchoring:** Anchored with two concealed G PIN anchors. Use anchors in conjunction with two-part epoxy.

**Product Spacing:** 12"-18" from end of planters/walls and approximately 36" centers. Do not apply at grout joints.