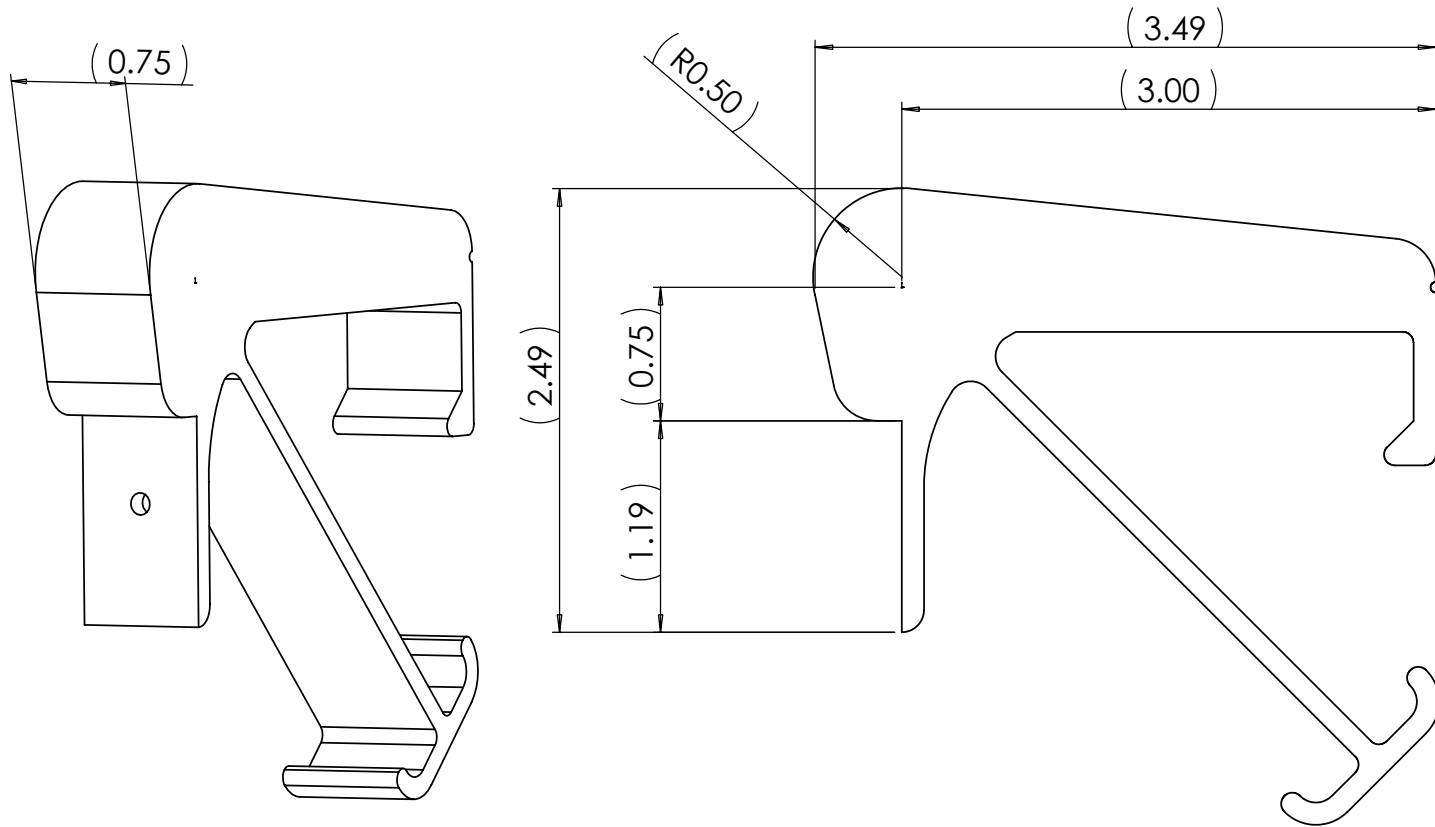


THE INFORMATION CONTAINED IN THIS DRAWING IS THE SOLE PROPERTY OF Intellicept. ANY REPRODUCTION IN PART OR WHOLE WITHOUT THE WRITTEN PERMISSION OF Intellicept IS PROHIBITED.



Material: 6061 T6 Aluminum Alloy

Finish: Hard tumble to remove all machined and/or cut edges. Type II clear anodize with temporary rubberized protective coating (protective coat removed after pour).

Recommended Spacing: 18" from end of walls/planters and approximately 36" center (not to exceed 42")

UNLESS OTHERWISE SPECIFIED DIMENSIONS ARE IN INCHES	INTELLICEPT, CA USA	
MATERIAL	FI Series	
FINISH		
SCALE	CAD FILE:	SHEET