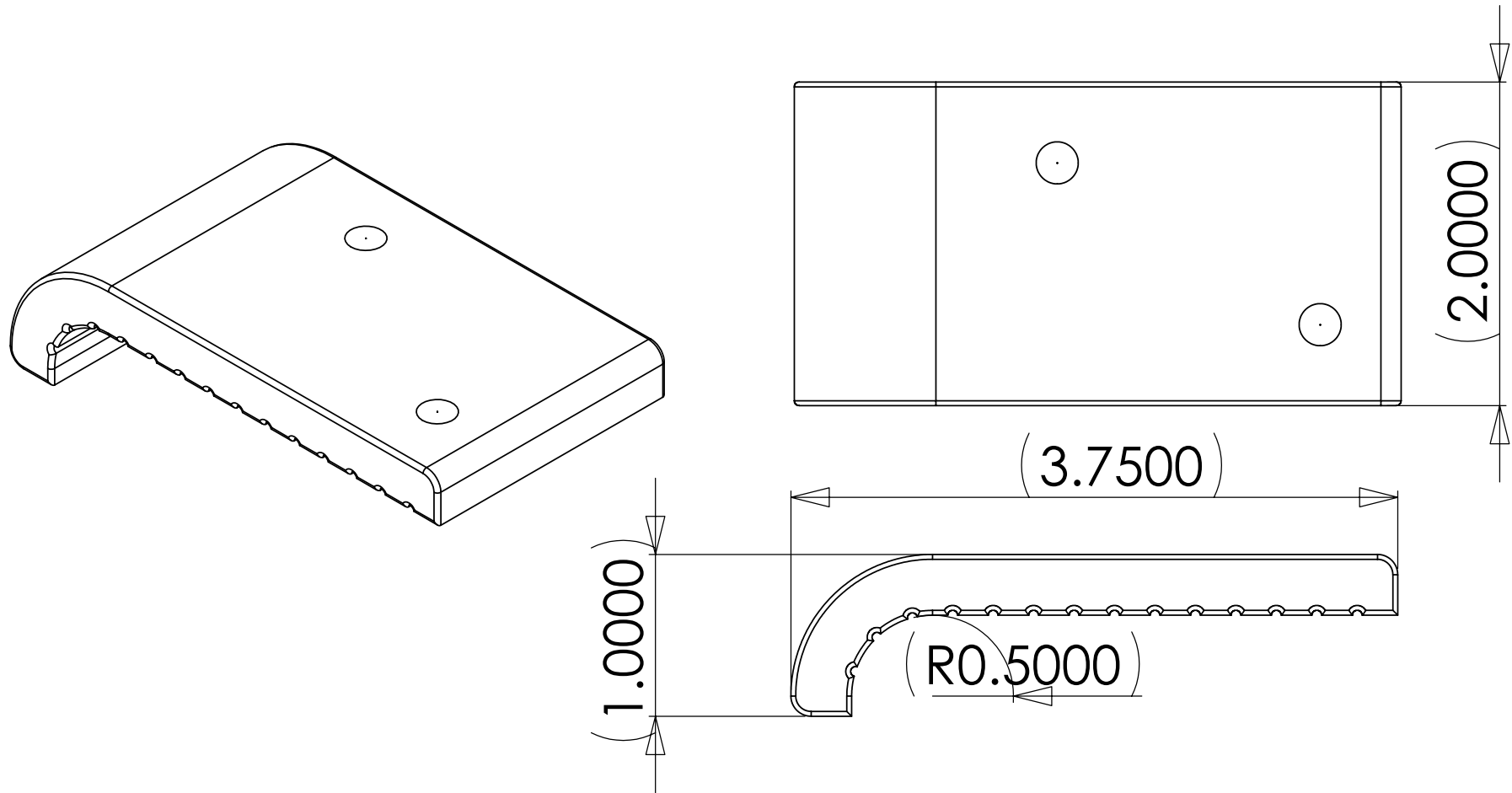


THE INFORMATION CONTAINED IN THIS DRAWING IS THE SOLE PROPERTY OF INTELLICEPT. ANY REPRODUCTION IN PART OR WHOLE WITHOUT THE WRITTEN PERMISSION OF INTELLICEPT IS PROHIBITED.



Material: 6061-T6 Aluminum.

Finish: Hard tumble to remove all machined and/or cut edges.
Type II Clear Anodize or outdoor rated Polyurethane Coat.

Anchoring: Two offset thru holes for 2." Smart Pin Plus.
Use anchors in conjunction with two-part impact resistant epoxy.

Product Spacing: 18" from end of planters/walls and approximately 36" centers.

INTELLICEPT SAN DIEGO, CALIFORNIA, U.S.A.			
FR0.5			
SIZE A	DWG. NO.		R
SCALE	CAD FILE:	SHEET	OF