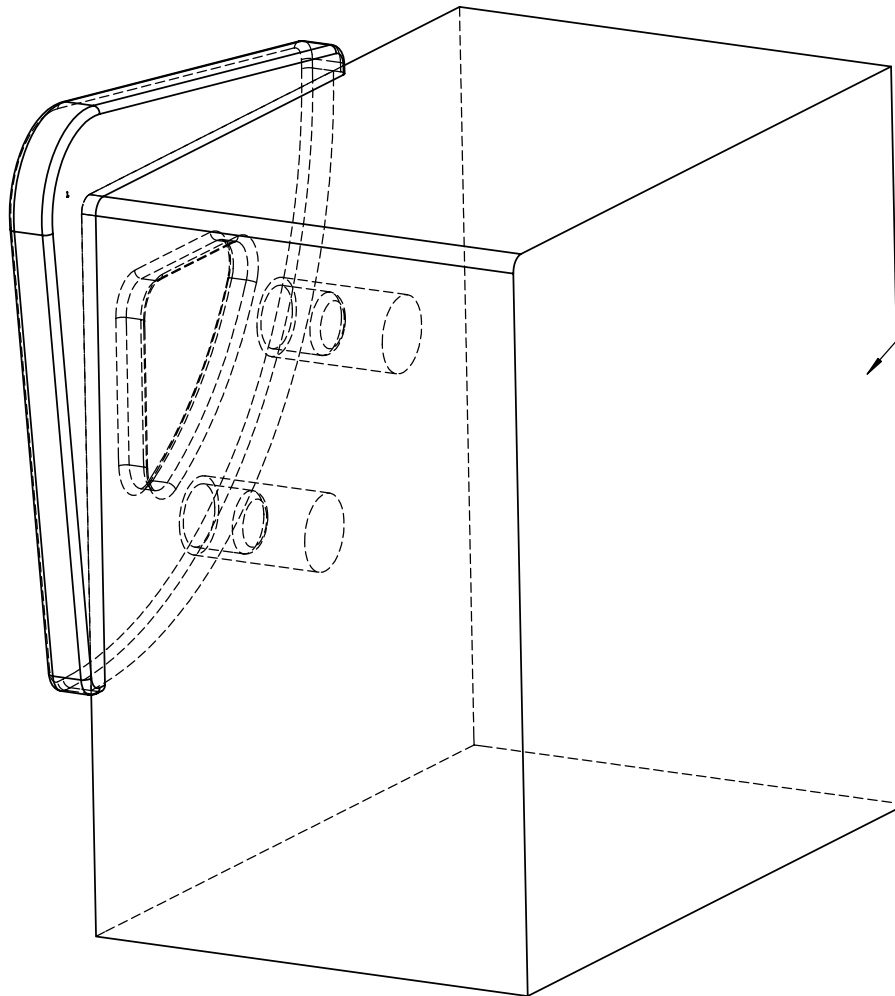


THE INFORMATION CONTAINED IN THIS DRAWING IS THE SOLE PROPERTY OF Intellicept. ANY REPRODUCTION IN PART OR WHOLE WITHOUT THE WRITTEN PERMISSION OF Intellicept IS PROHIBITED.



This product is made for pre-cast block, granite, or marble with 1/8" radius edge at 90 degrees. Must be installed during construction of wall.

Consult with Intellicept prior to specifying this or any insert type part.

UNLESS OTHERWISE SPECIFIED DIMENSIONS ARE IN INCHES		INTELLICEPT, CA USA	
MATERIAL Bronze		Mayo Insert (Grout Line Insert with Locking Pins)	
FINISH			
SCALE	CAD FILE:	SHEET	