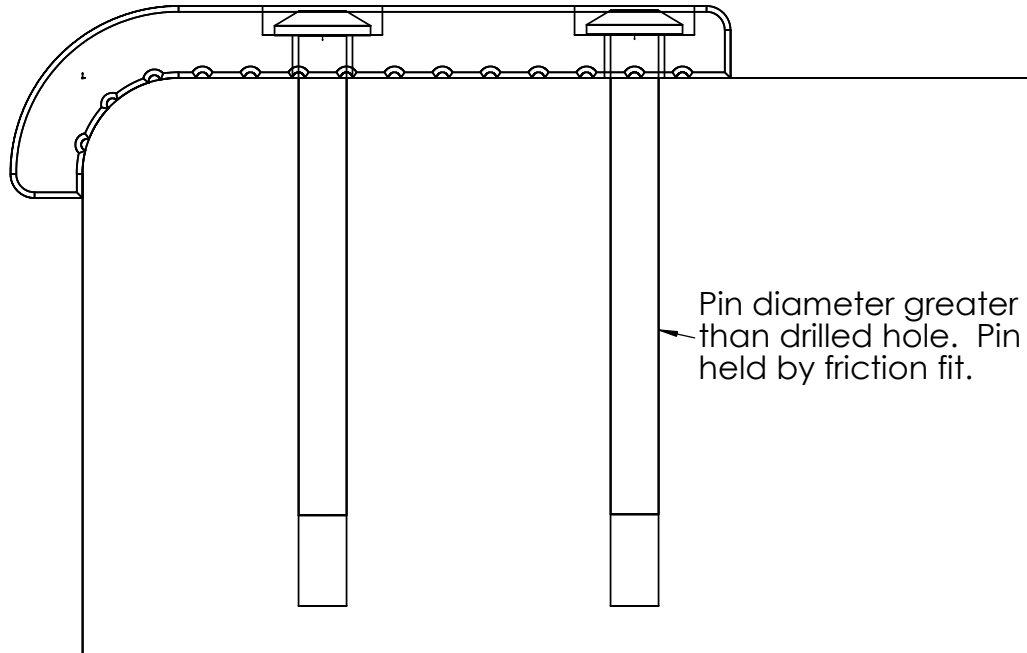


THE INFORMATION CONTAINED IN THIS DRAWING IS THE SOLE PROPERTY OF Intellicept. ANY REPRODUCTION IN PART OR WHOLE WITHOUT THE WRITTEN PERMISSION OF Intellicept IS PROHIBITED.

Zinc Plated Steel  
Pin set in counterbore  
(pin set below surface)



UNLESS OTHERWISE SPECIFIED DIMENSIONS ARE IN INCHES		INTELLICEPT, CA USA 619-447-6374	
MATERIAL		FR0.5CB (Installation showing Spiral Drive)	
FINISH			
SCALE	CAD FILE:	SHEET	