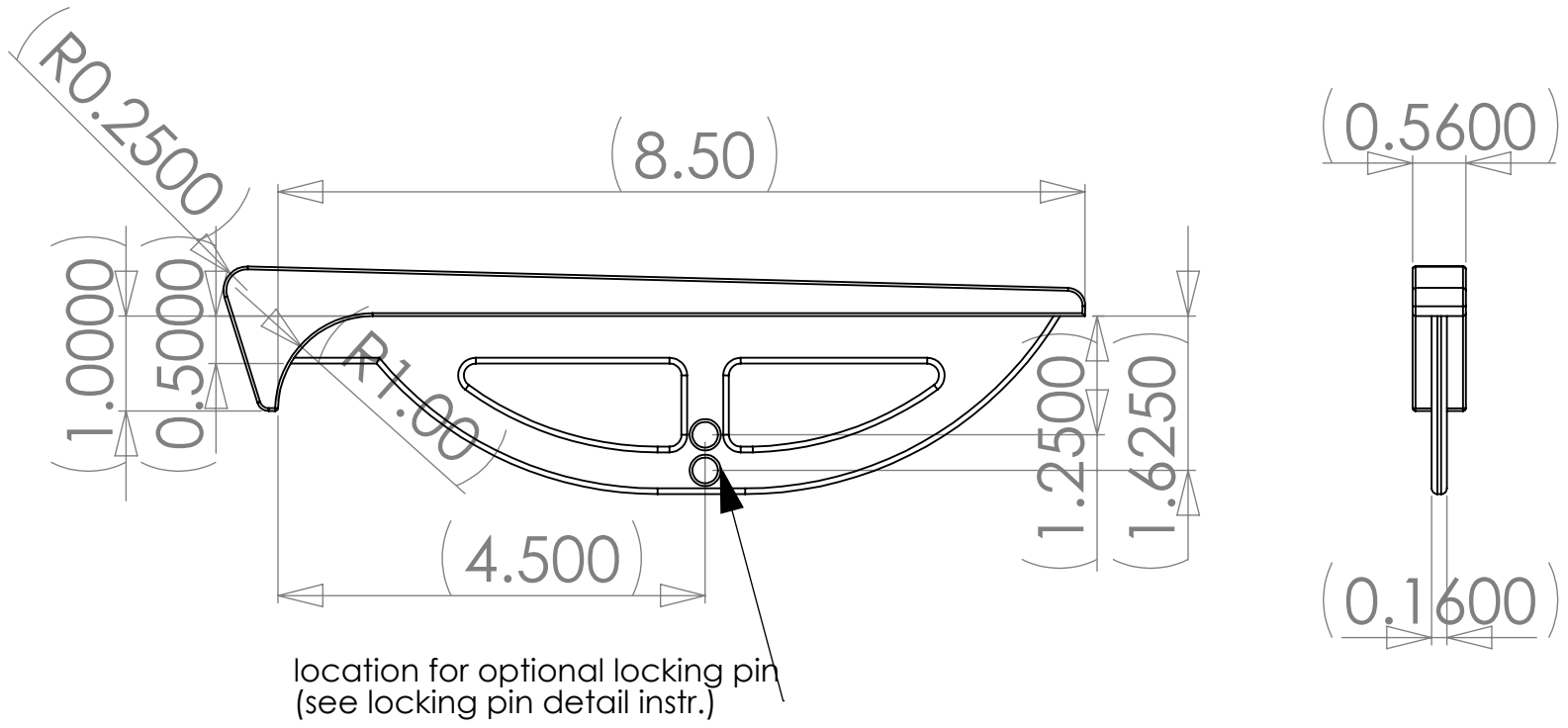


THE INFORMATION CONTAINED IN THIS DRAWING IS THE SOLE PROPERTY OF INTELLECT. ANY REPRODUCTION IN PART OR WHOLE WITHOUT THE WRITTEN PERMISSION OF INTELLECT IS PROHIBITED.



316 Stainless Steel Insert
 Use locking pin option for grout joint installations.
 Spacing 12-24" from corner to first/last piece and approx
 30-48" on center for symmetry.

INTELLECT SAN DIEGO, CALIFORNIA, U.S.A.			
DR1-8 for 1" Radius			
SIZE A	DWG. NO.	REV.	
SCALE	CAD FILE:	SHEET	OF
		2	1