

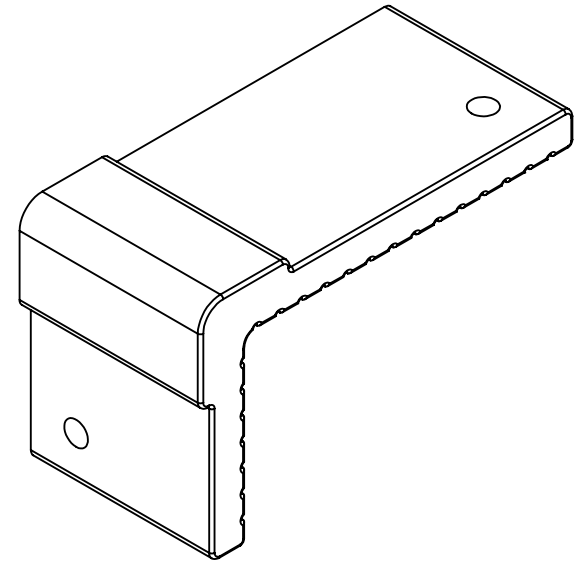
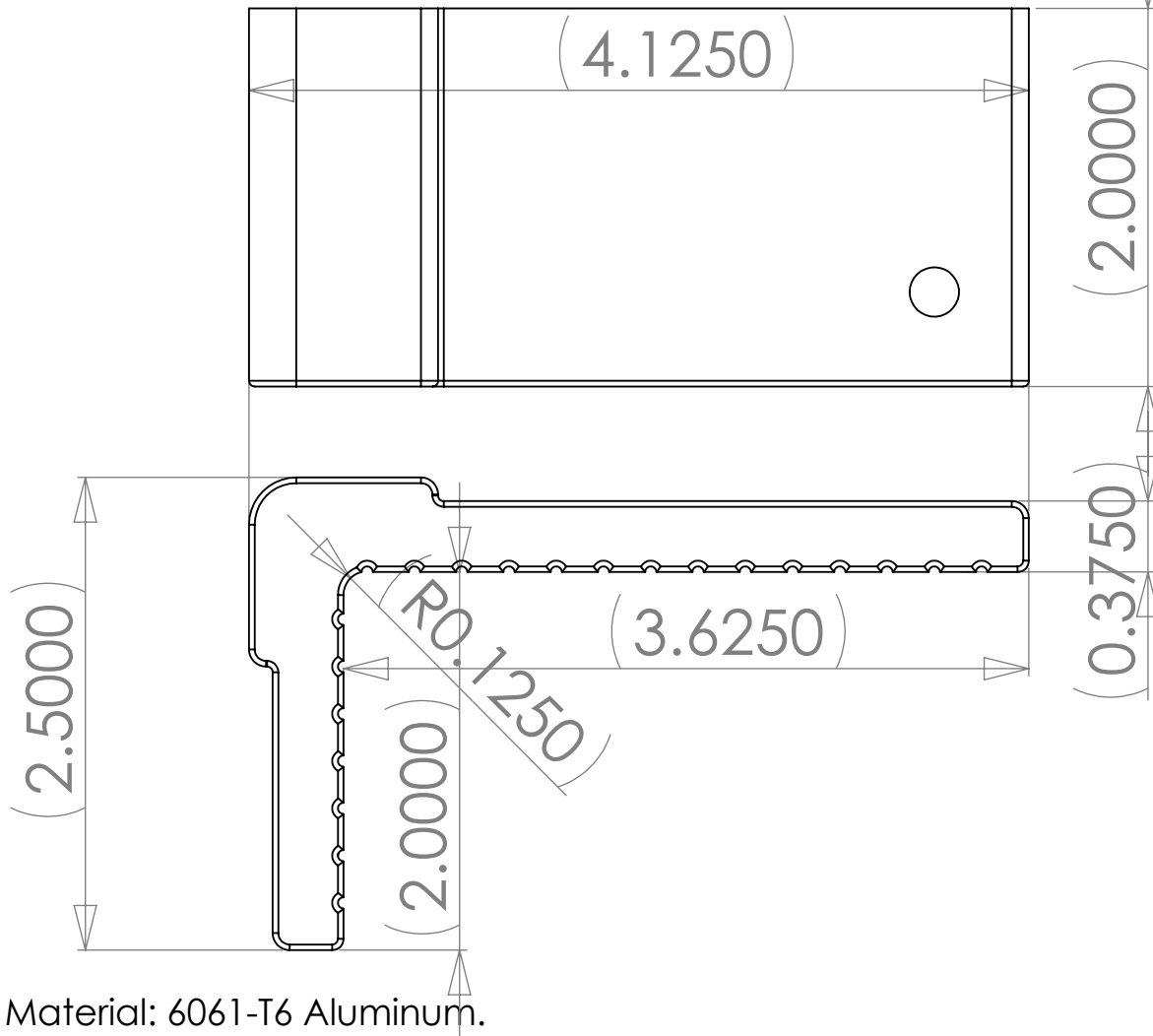
THE INFORMATION CONTAINED IN THIS DRAWING IS THE SOLE PROPERTY OF INTELLECT. ANY REPRODUCTION IN PART OR WHOLE WITHOUT THE WRITTEN PERMISSION OF INTELLECT IS PROHIBITED.

D

C

B

A



D

C

B

A

Material: 6061-T6 Aluminum.

Finish: Hard tumble to remove all machined and/or cut edges.  
Type II Clear Anodize or Hard Anodize.

Anchoring: Two offset thru holes for Smart Pins Plus.  
Use anchors in conjunction with two-part epoxy.

Product Spacing: 18" from end of planters/walls and approximately 36" centers.

INTELLECT  
SAN DIEGO, CALIFORNIA, U.S.A.

FA90A

SIZE A	DWG. NO.	REV.
SCALE	CAD FILE:	SHEET OF
	2	1

8

7

6

5

4

3

2

1