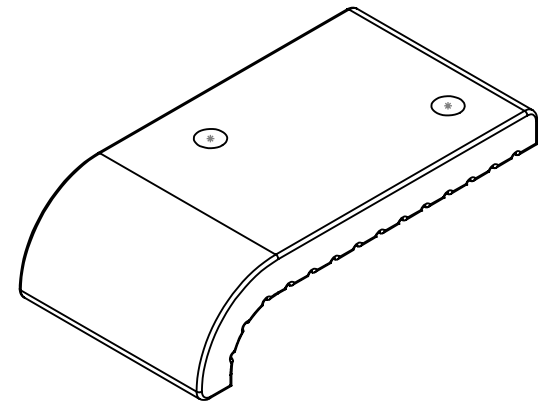
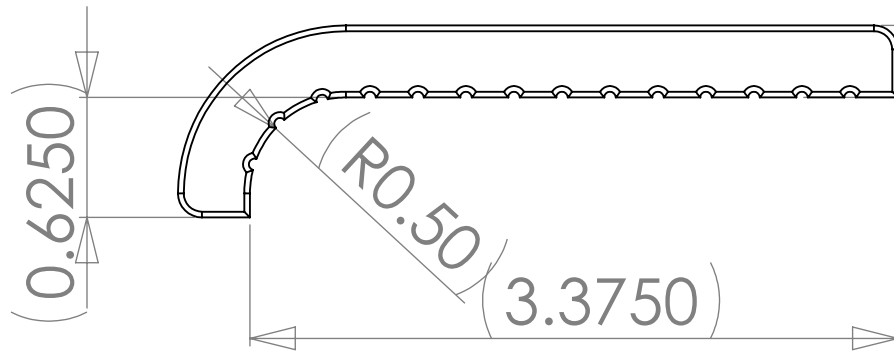
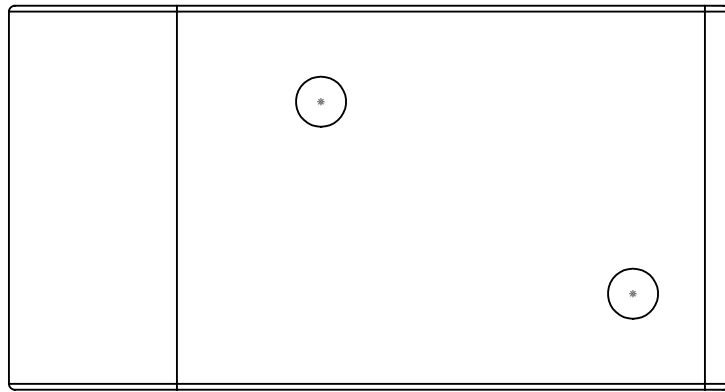


8 7 6 5 4 3 2 1

THE INFORMATION CONTAINED IN THIS DRAWING IS THE SOLE PROPERTY OF INTELLECT. ANY REPRODUCTION IN PART OR WHOLE WITHOUT THE WRITTEN PERMISSION OF INTELLECT IS PROHIBITED.



Material: 6061-T6 Aluminum.

Finish: Hard tumble to remove all machined and/or cut edges.
Type II Clear Anodize or Hard Anodize.

Anchoring: Two offset thru holes for Smart Pins.
Use anchors in conjunction with two-part epoxy.

Product Spacing: 18" from end of planters/walls and approximately 36" centers.

INTELLECT
SAN DIEGO, CALIFORNIA, U.S.A.

FR0.5

SIZE A	DWG. NO.	REV.
SCALE	CAD FILE:	SHEET OF
	2	1