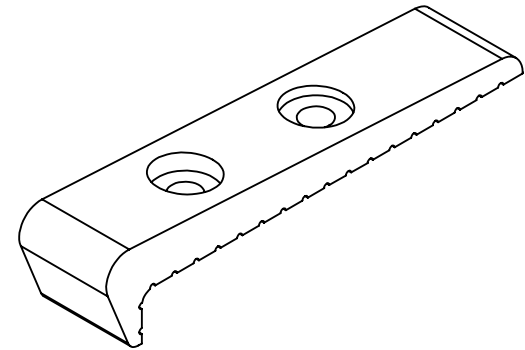
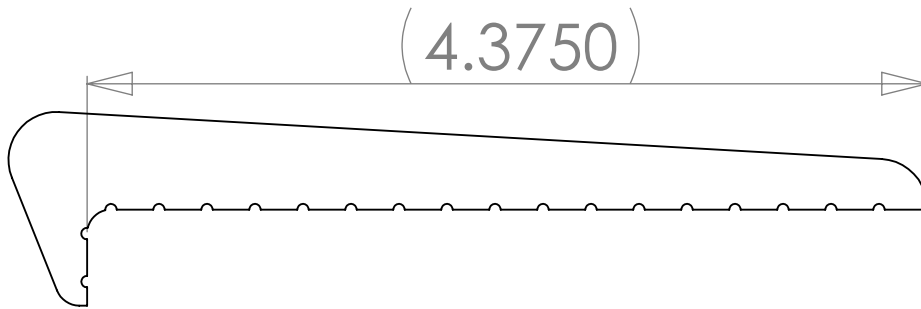
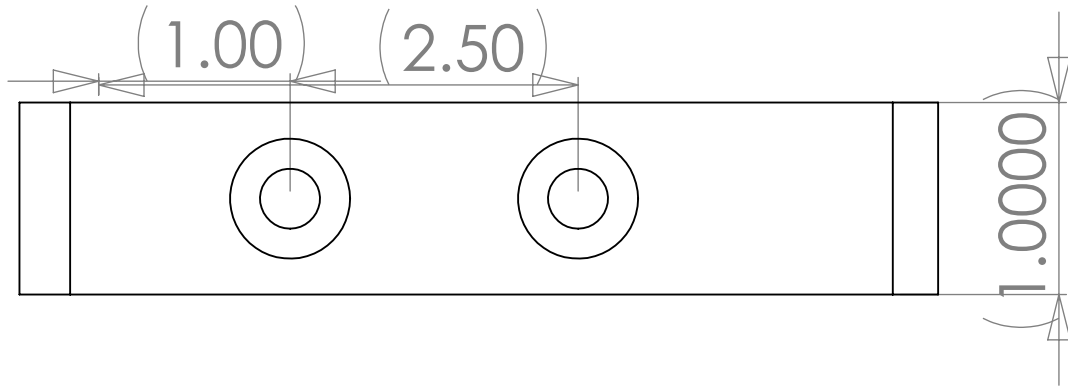


THE INFORMATION CONTAINED IN THIS DRAWING IS THE SOLE PROPERTY OF INTELLECT. ANY REPRODUCTION IN PART OR WHOLE WITHOUT THE WRITTEN PERMISSION OF INTELLECT IS PROHIBITED.



6061-T6 Aluminum. Deburr to remove cut edges.
Clear Anodize. Bolt to plank with carriage bolts,
washers and nuts.

****NOT FOR USE ON CONCRETE OR STONE SUBSTRATES****

INTELLECT
SAN DIEGO, CALIFORNIA, U.S.A.

FR0.12BC
Bench Clip for wood,
fiberglass, and bleacher
planks only

SIZE A	DWG. NO.	REV.
SCALE	CAD FILE:	SHEET OF
	2	1