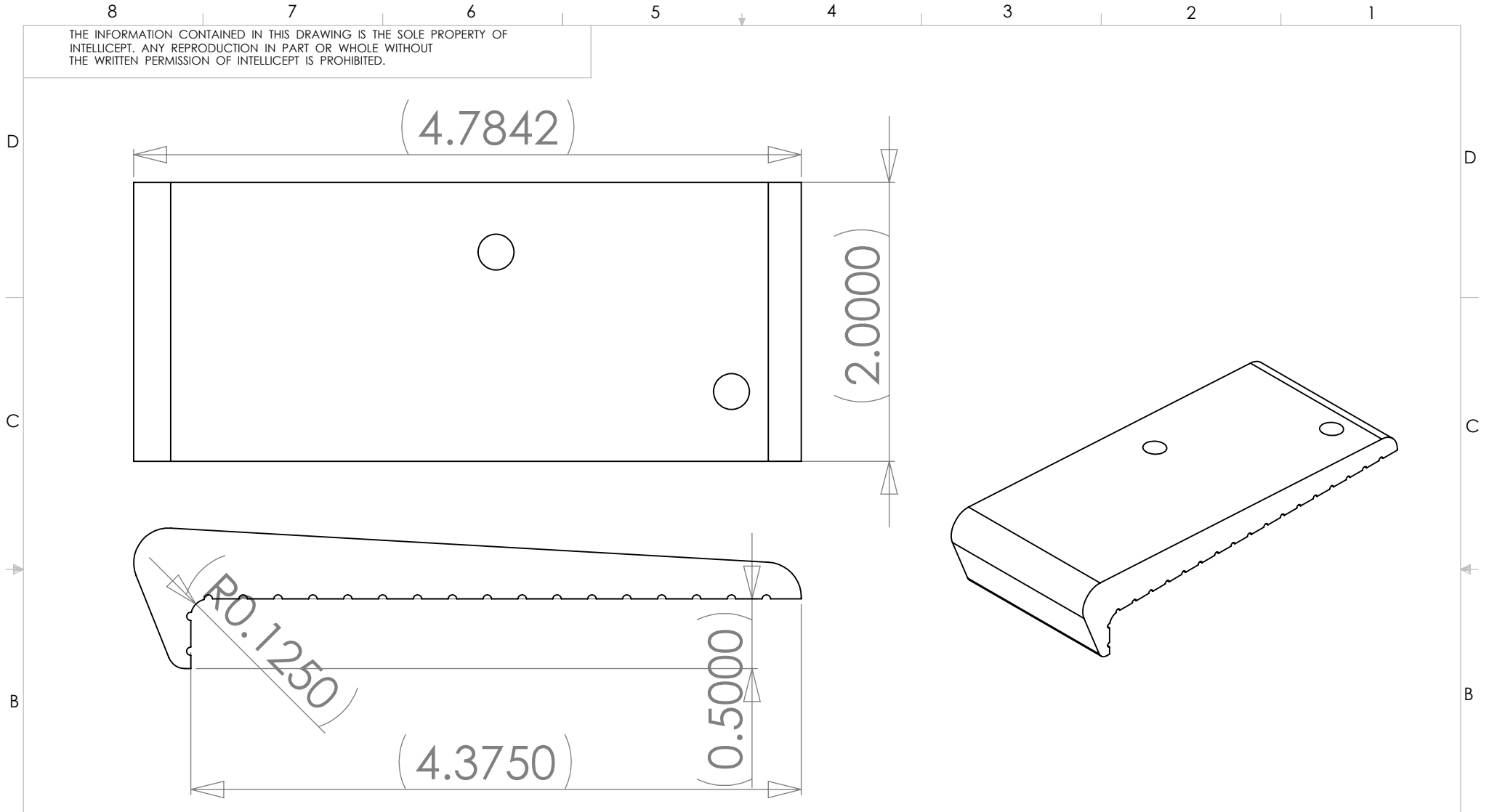


THE INFORMATION CONTAINED IN THIS DRAWING IS THE SOLE PROPERTY OF INTELLECT. ANY REPRODUCTION IN PART OR WHOLE WITHOUT THE WRITTEN PERMISSION OF INTELLECT IS PROHIBITED.



Material: 6061T6 Aluminum

Finish: Hard tumble to remove all machined and/or cut edges.
Type II Clear anodize or Hard Anodize.

Anchoring: Two offset thru holes for Smart Pins Plus.
Use in conjunction with two-part epoxy.

Product Spacing: 18" from end of planter/wall and approximately 36" centers.

INTELLECT SAN DIEGO, CALIFORNIA, U.S.A.			
FR0.12			
SIZE A	DWG. NO.	REV.	
SCALE	CAD FILE:	SHEET	OF
		2	1