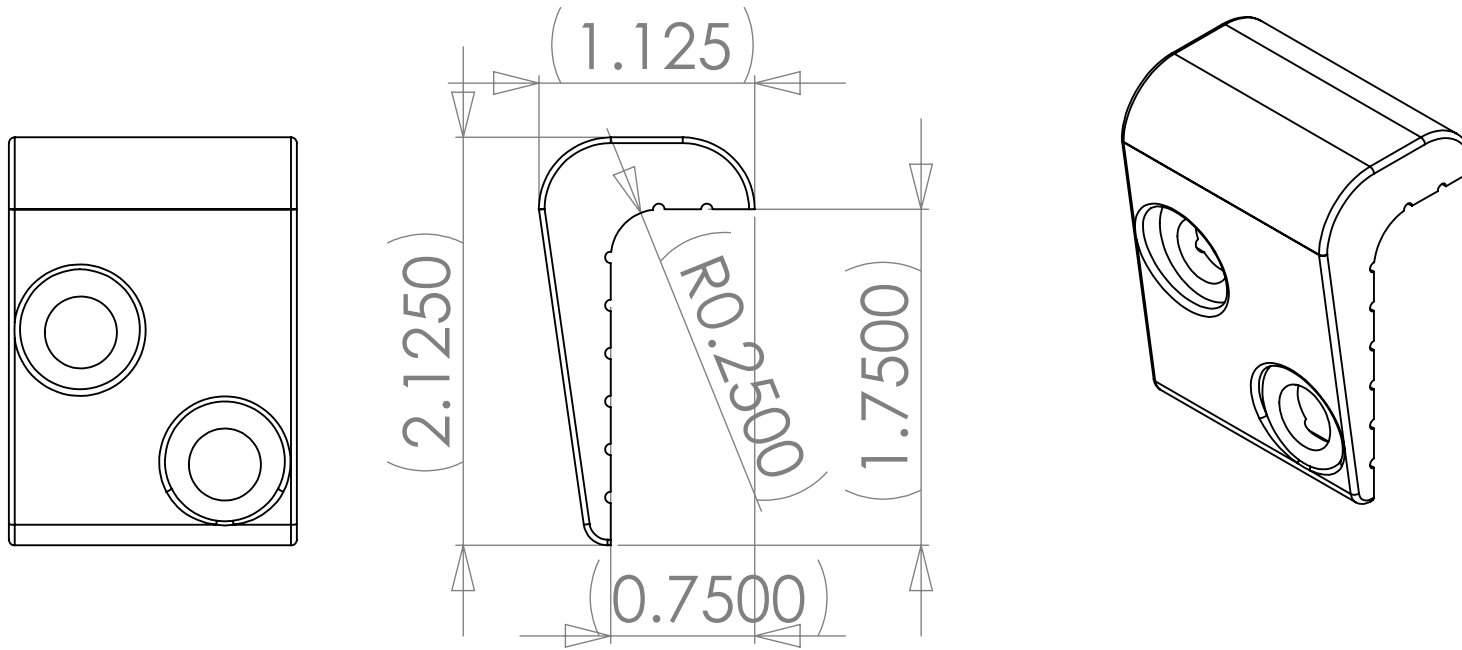


8 7 6 5 4 3 2 1
THE INFORMATION CONTAINED IN THIS DRAWING IS THE SOLE PROPERTY OF INTELLECT. ANY REPRODUCTION IN PART OR WHOLE WITHOUT THE WRITTEN PERMISSION OF INTELLECT IS PROHIBITED.

****DO NOT USE ON CONCRETE OR STONE SUBSTRATES****



Material: 6061-T6 Aluminum.

Finish: Hard tumble to remove all machined and/or cut edges.
Type II Clear Anodize.

Anchoring: Two offset thru holes for Carriage Bolt Assy.

Product Spacing: 18" from end of bench and approximately 36" centers.

INTELLECT
SAN DIEGO, CALIFORNIA, U.S.A.

FR025PC
for plastic dipped
steel angle

SIZE A	DWG. NO.	REV.
SCALE	CAD FILE:	SHEET OF
	2	1