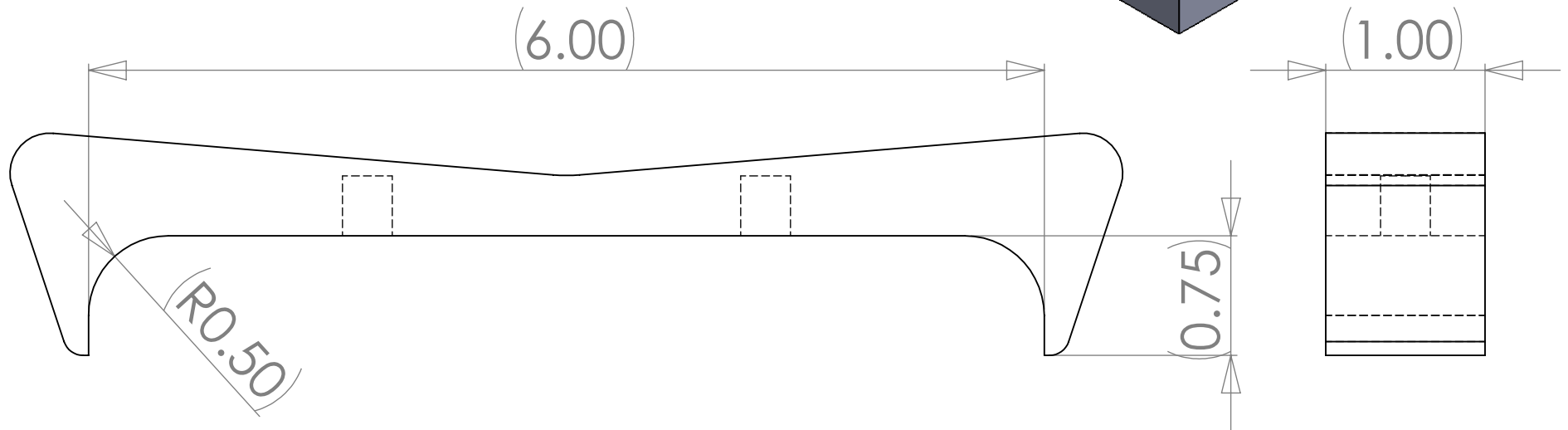
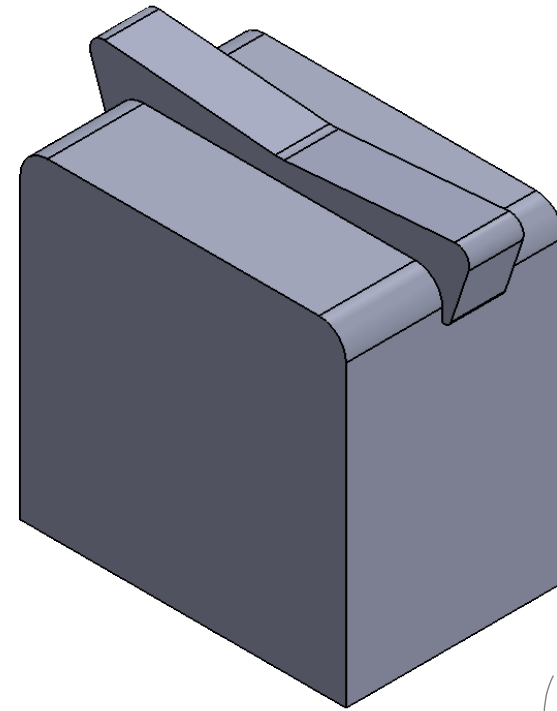


THE INFORMATION CONTAINED IN THIS DRAWING IS THE SOLE PROPERTY OF INTELLICEPT. ANY REPRODUCTION IN PART OR WHOLE WITHOUT THE WRITTEN PERMISSION OF INTELLICEPT IS PROHIBITED.

Straddle for 6" Curb with 1/2" radius on both sides



6061 T6 Aluminum. Debur. Type II clear anodize or Hard Anodize. Set with two 3/8" x 1-1/2" studs and epoxy. Product spaced at 12-18" from end of the wall and 36" +/- 6" centers.

INTELLICEPT
SAN DIEGO, CALIFORNIA, U.S.A.

Gorilla05-6Straddle

SIZE A	DWG. NO.	REV.
SCALE	CAD FILE:	SHEET OF