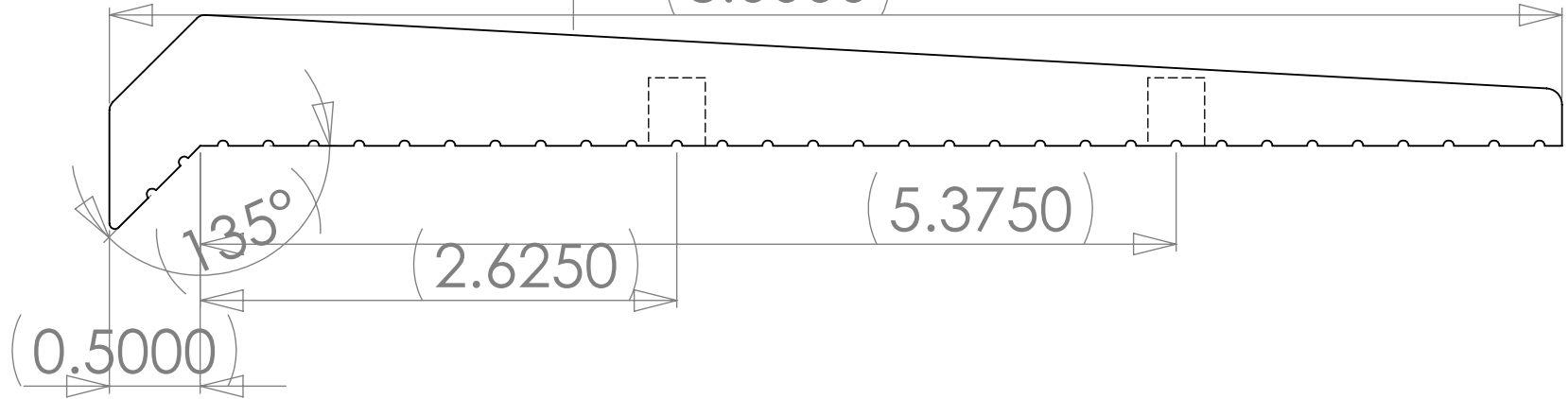
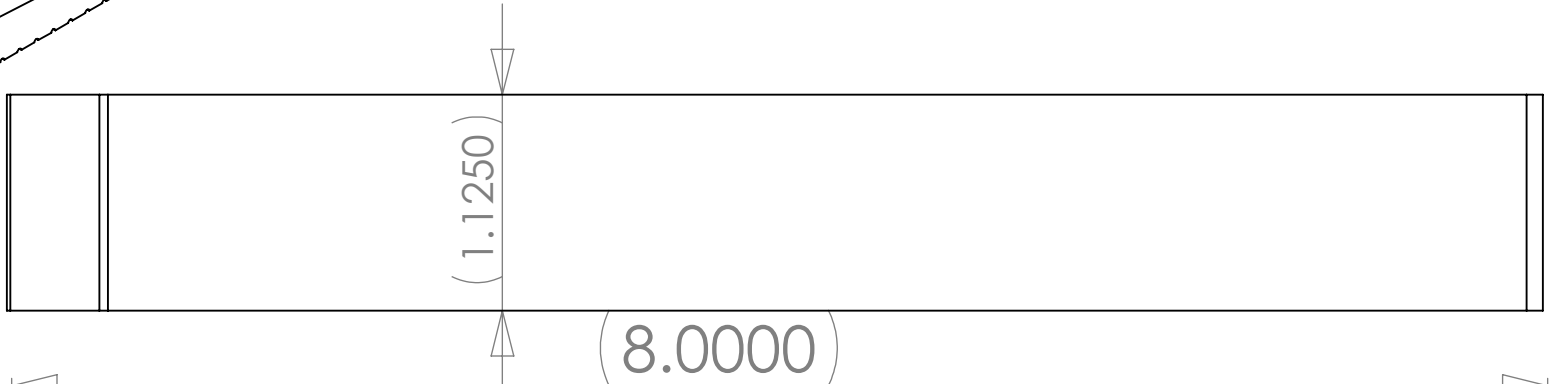
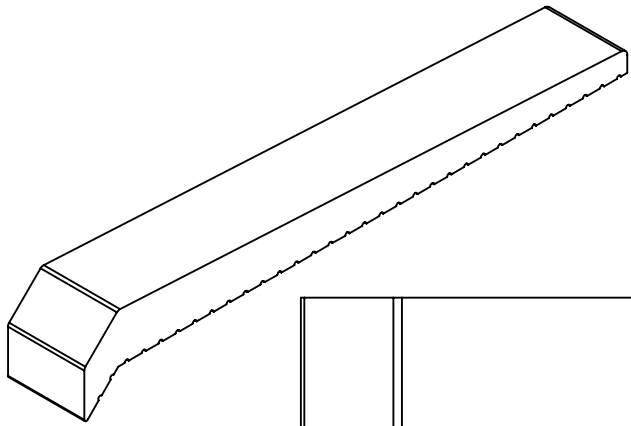


8 7 6 5 4 3 2 1

THE INFORMATION CONTAINED IN THIS DRAWING IS THE SOLE PROPERTY OF INTELICEPT. ANY REPRODUCTION IN PART OR WHOLE WITHOUT THE WRITTEN PERMISSION OF INTELICEPT IS PROHIBITED.



6061 T6 Aluminum. Debur. Type II clear anodize or Hard Anodize. Set with two 3/8" x 1-1/2" studs and epoxy. Product spaced at 12-18" from end of the wall and 36" +/- 6" centers.

INTELICEPT
SAN DIEGO, CALIFORNIA, U.S.A.

Gorilla135

SIZE A	DWG. NO.	REV.
SCALE	CAD FILE:	SHEET OF