

8 7 6 5 4 3 2 1

THE INFORMATION CONTAINED IN THIS DRAWING IS THE SOLE PROPERTY OF INTELLECT. ANY REPRODUCTION IN PART OR WHOLE WITHOUT THE WRITTEN PERMISSION OF INTELLECT IS PROHIBITED.

D

D

C

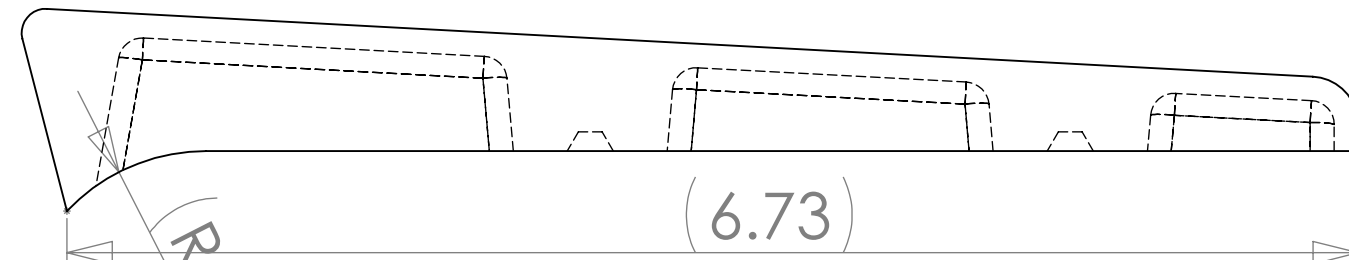
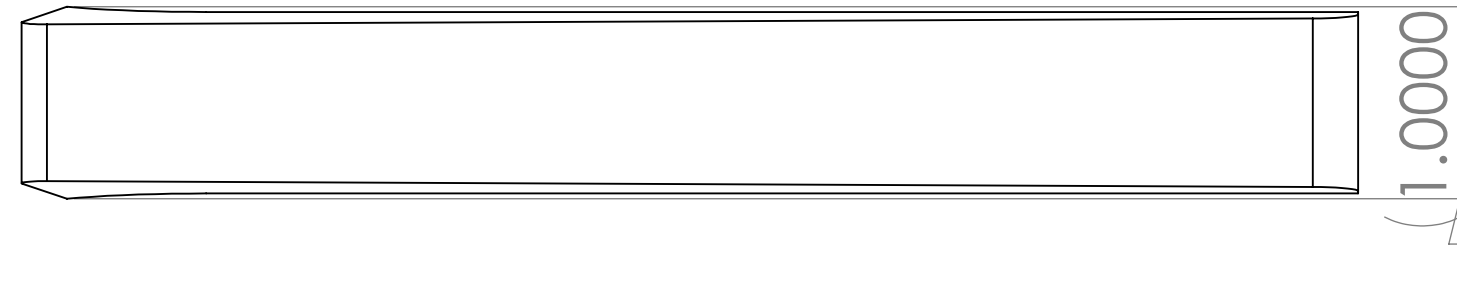
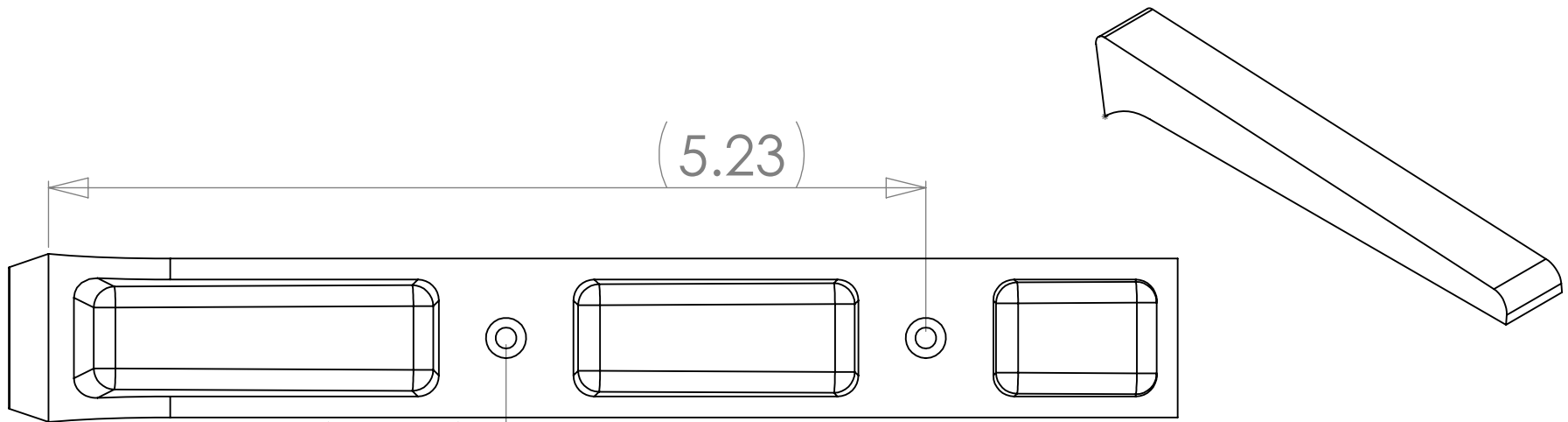
C

B

B

A

A



Available in cast Silicon Bronze or White Tombasil.  
Anchored with two blind SMART PINS PLUS anchor pins and impact resistant epoxy (as provided)

INTELLECT  
SAN DIEGO, CALIFORNIA, U.S.A.

Miller Rev A  
(for 1" radius)

SIZE A	DWG. NO.	REV.
SCALE	CAD FILE:	SHEET OF