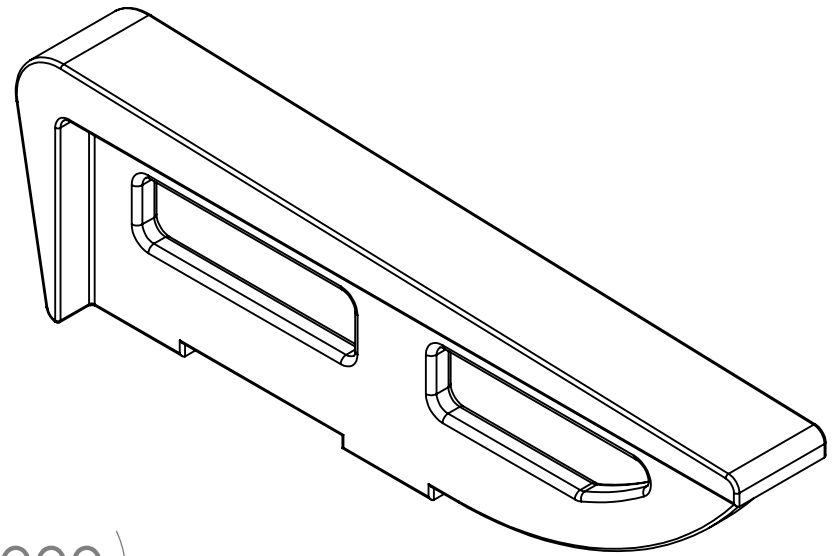


8 7 6 5 4 3 2 1

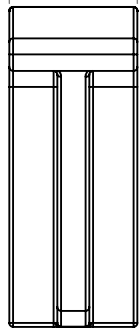
THE INFORMATION CONTAINED IN THIS DRAWING IS THE SOLE PROPERTY OF INTELICEPT. ANY REPRODUCTION IN PART OR WHOLE WITHOUT THE WRITTEN PERMISSION OF INTELICEPT IS PROHIBITED.

D
C
B
A

D
C
B
A

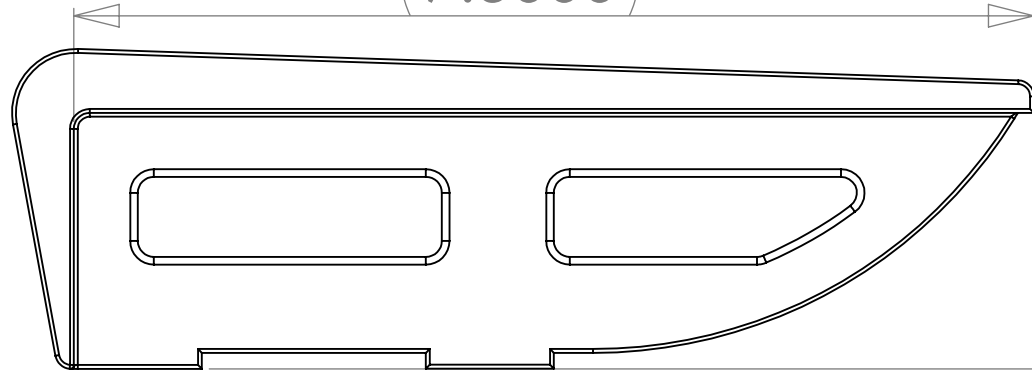


(1.0 Overall)



(0.25 BLADE)

(7.5000)



(2.0000)

Available in cast Bronze with brown patina or White Tomasil (white brass) with matte clear coat

INTELICEPT
SAN DIEGO, CALIFORNIA, U.S.A.

Arlington T
for 1/8" Radius

SIZE A	DWG. NO.	REV.
SCALE	CAD FILE:	SHEET OF

8 7 6 5 4 3 2 1