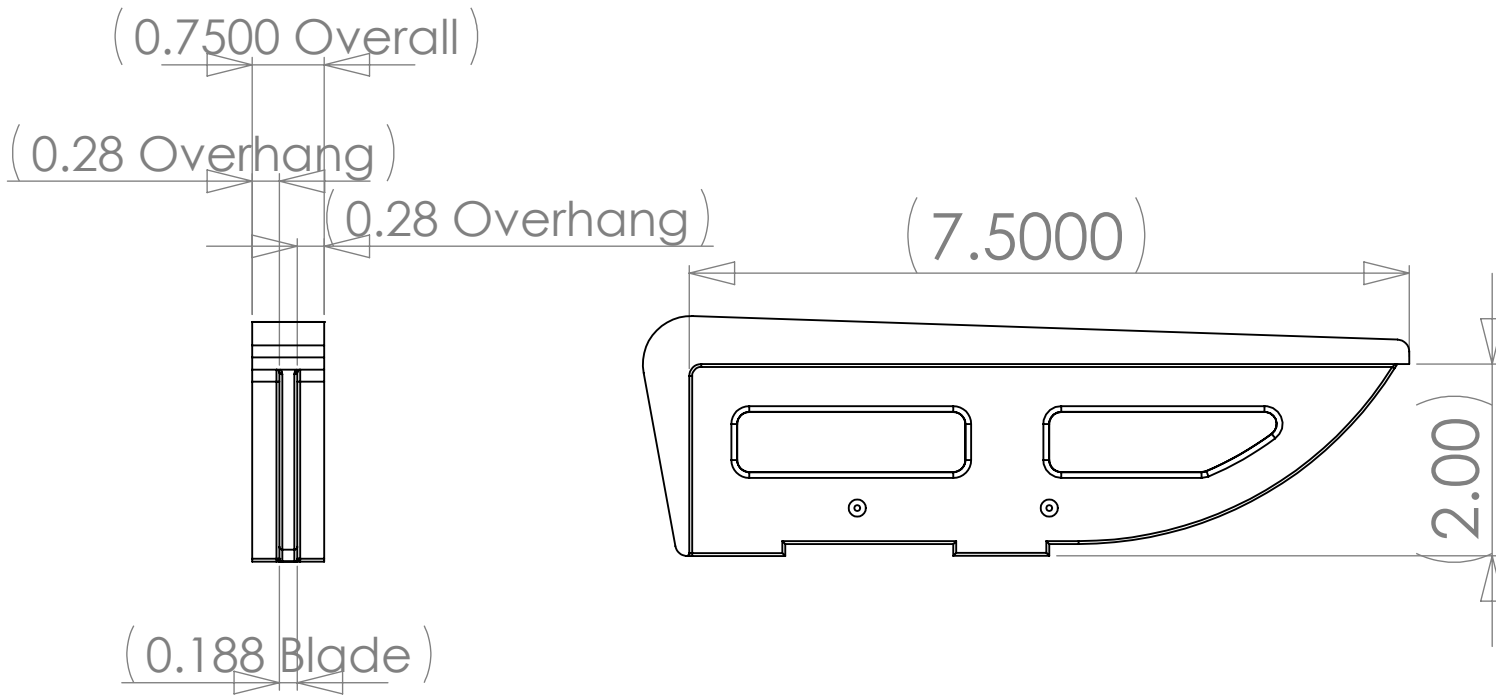
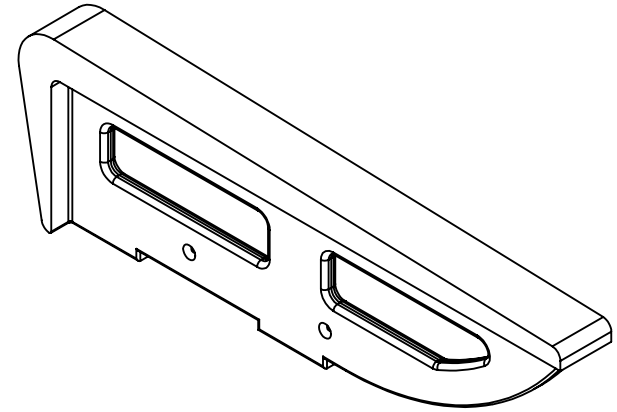


THE INFORMATION CONTAINED IN THIS DRAWING IS THE SOLE PROPERTY OF INTELICEPT. ANY REPRODUCTION IN PART OR WHOLE WITHOUT THE WRITTEN PERMISSION OF INTELICEPT IS PROHIBITED.



Available in cast Bronze with brown patina or White Tomasil (white brass) with matte clear coat  
 Set part into joint. Use locking pins wherever possible

INTELICEPT  
 SAN DIEGO, CALIFORNIA, U.S.A.

Potomac T  
 1/8" Radius

SIZE A	DWG. NO.	REV.
SCALE	CAD FILE:	SHEET OF

2 1