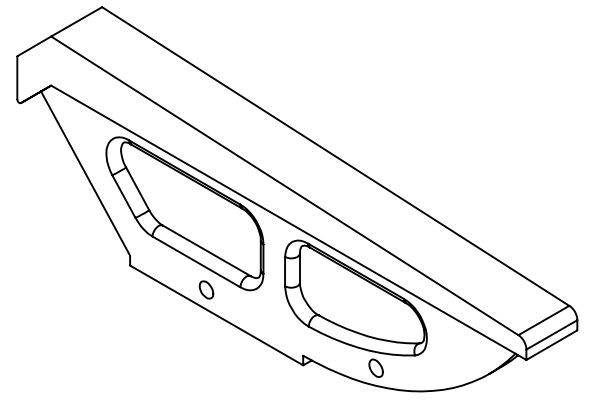


8 7 6 5 4 3 2 1

THE INFORMATION CONTAINED IN THIS DRAWING IS THE SOLE PROPERTY OF INTELLECT. ANY REPRODUCTION IN PART OR WHOLE WITHOUT THE WRITTEN PERMISSION OF INTELLECT IS PROHIBITED.

D
C
B
A

D
C
B
A



(0.7500 Overall)

(7.5000)

(2.0000)

(0.1800 Blade)

(0.5000)

(0.2850 Overhang)

(0.2850 Overhang)



Available in cast Bronze with brown patina or White Tomasil (white brass) with matte clear coat

INTELLECT SAN DIEGO, CALIFORNIA, U.S.A.			
San Marcos T for Chamfer			
SIZE A	DWG. NO.	REV.	
SCALE	CAD FILE:	SHEET	OF
		1	1

8 7 6 5 4 3 2 1