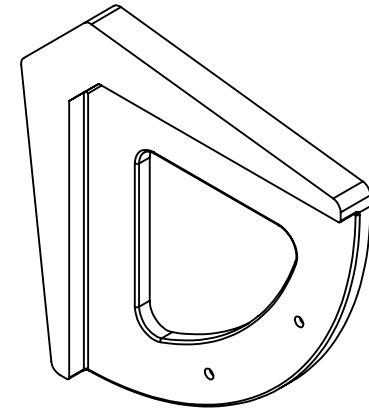
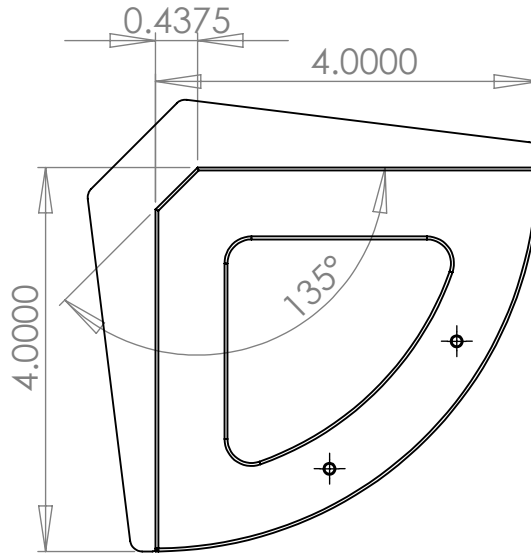


0.4375 Overall  
0.2500 Overhang



0.1875 Blade



Available in cast Bronze with brown patina or  
White Tombasil (white brass) with matte clear coat

TITLE:		
Conley Insert for 1/2" Chamfer		
SIZE	DWG. NO.	REV
<b>A</b>	Conley135dim	
SCALE: 1:2	WEIGHT: 1.74 lbs	SHEET 1 OF 1

PROPRIETARY AND CONFIDENTIAL  
THE INFORMATION CONTAINED IN THIS  
DRAWING IS THE SOLE PROPERTY OF  
INTELLICEPT. ANY REPRODUCTION IN  
PART OR AS A WHOLE WITHOUT THE  
WRITTEN PERMISSION OF  
INTELLICEPT IS PROHIBITED.

MATERIAL  
  
FINISH