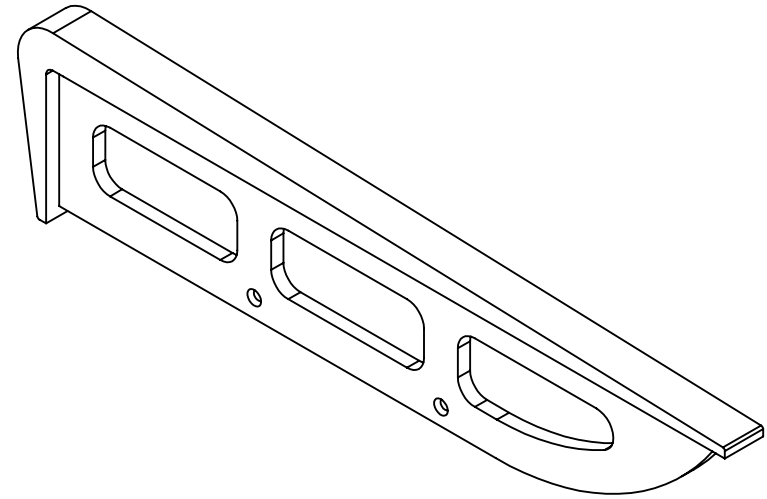


8 7 6 5 4 3 2 1

THE INFORMATION CONTAINED IN THIS DRAWING IS THE SOLE PROPERTY OF INTELLECT. ANY REPRODUCTION IN PART OR WHOLE WITHOUT THE WRITTEN PERMISSION OF INTELLECT IS PROHIBITED.



D

D

C

C

B

B

A

A

(0.5625 Overall)

(0.19 Overhang)

(0.19 Overhang)

(10.0000)

(2.00)

(0.18 Blade)

Available in cast Bronze with brown patina or
White Tomasil (white brass) with matte clear coat

INTELLECT
SAN DIEGO, CALIFORNIA, U.S.A.

Los Angeles T
for 1/8" Radius

SIZE A	DWG. NO.	REV.
SCALE	CAD FILE:	SHEET OF

8

7

6

5

4

3

2

1