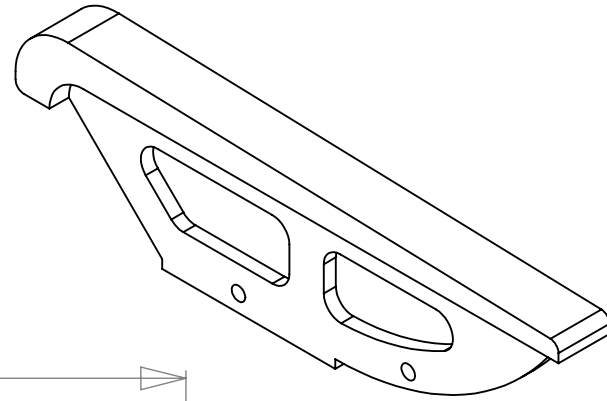
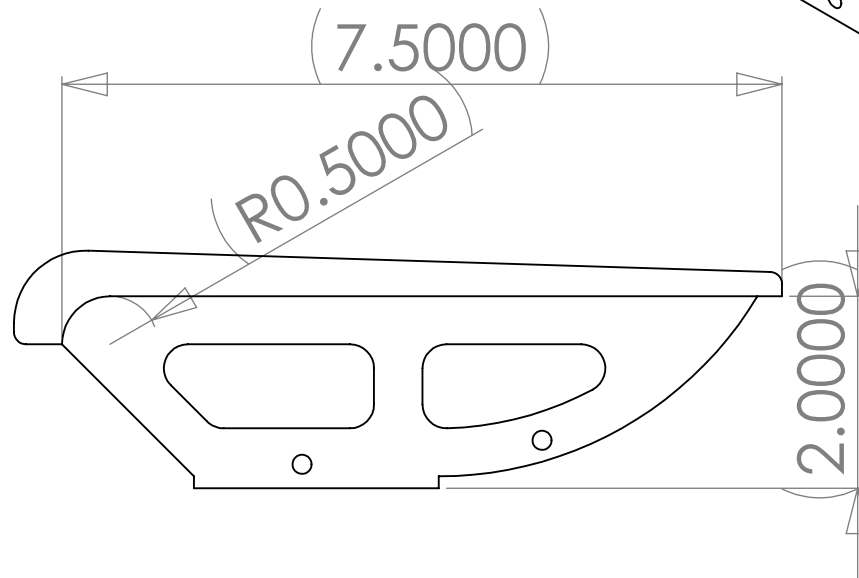
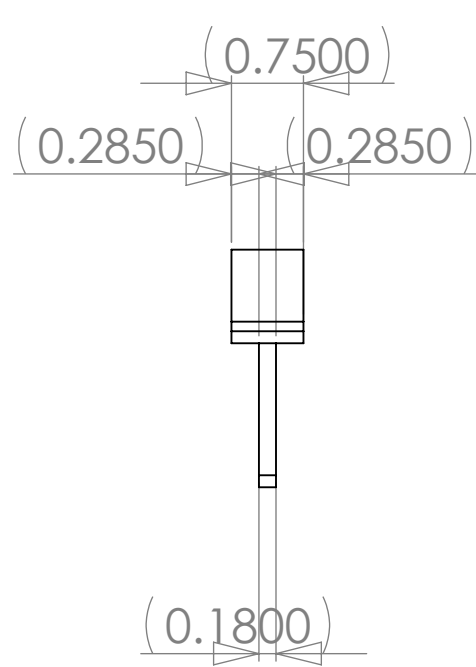


8 7 6 5 4 3 2 1

THE INFORMATION CONTAINED IN THIS DRAWING IS THE SOLE PROPERTY OF INTELLECT. ANY REPRODUCTION IN PART OR WHOLE WITHOUT THE WRITTEN PERMISSION OF INTELLECT IS PROHIBITED.



Available in cast Bronze with brown patina or White Tomasil (white brass) with matte clear coat

INTELLECT  
SAN DIEGO, CALIFORNIA, U.S.A.

San Dieguito T  
for 1/2" Radius

SIZE A	DWG. NO.	REV.
SCALE	CAD FILE:	SHEET OF
	2	1